

TekDoc

# USER MANUAL

2025



TRIKES

**MONTY**  
BIKES

# CONTENTS

<b>01 INTRODUCTION</b>	<b>3</b>
SYMBOLS	3
<b>02 MONTY WARRANTY</b>	<b>4</b>
STATUTORY WARRANTY	4
EXTENDED WARRANTY OF UP TO 5 YEARS ON BH MOTORS	4
REGISTERING BH MOTOR WARRANTY	5
MONTY SERIAL NUMBER	5
WARRANTY OF PARTS OF THE ELECTRICAL ASSISTANCE SYSTEM	5
SUBMITTING A WARRANTY CLAIM	5
CONDITIONS THAT MAY AVOID THE WARRANTY OF ELECTRICAL COMPONENTS	5
<b>03 MAINTENANCE</b>	<b>6</b>
INSPECT THE BICYCLE BEFORE USE	6
KEEP THE BICYCLE CLEAN	6
KEEP THE TRANSMISSION LUBRICATED AT ALL TIMES	6
PART MAINTENANCE	6
SPARE PARTS	7
AFTER A FALL, BLOW OR IMPACT	8
<b>04 WARNINGS ON USE</b>	<b>8</b>
MAXIMUM TYRE SIZE	8
MINIMUM AND MAXIMUM INSERTION LENGTH OF THE SEAT POST	8
MAXIMUM FORK LENGTH (AXLE-TO-CROWN)	8
MAXIMUM NUMBER OF STEERING SPACERS	8
POSITION OF THE SPINDLE INSIDE THE FORK TUBE	8
INTENDED USE	8
OPTIMAL PERFORMANCE OF THE VEHICLE	9
<b>05 WARNINGS ON USE OF THE ELECTRICAL ASSISTANCE SYSTEM</b>	<b>10</b>
CARE AND INSTRUCTIONS FOR USE OF THE ELECTRICAL COMPONENTS AND BATTERIES	10
RECOMMENDATIONS TO MAXIMIZE THE BATTERY LIFE	10
WARNINGS ON THE USE OF BATTERIES	10
UNSUITABLE CHARGING AND DISCHARGING ENVIRONMENTS AND SOLUTIONS	10
RECYCLING	10
MOTOR	10
<b>06 PEDAL ASSISTANCE SYSTEM OPERATION</b>	<b>11</b>
COMPONENTS OF THE PEDAL ASSISTANCE SYSTEM	11
PEDAL ASSISTANCE SYSTEM	11
PARTS OF THE CONTROL PANEL	11
TURNING THE PEDAL ASSIST SYSTEM ON AND OFF	11
TURNING THE BICYCLE LIGHTS ON AND OFF	12
SELECTING THE PEDAL ASSISTANCE MODE	12
WALK ASSIST MODE	12
START OF PEDALLING	12
DISPLAYING THE BATTERY CHARGE LEVEL	13

BATTERY AND CHARGER	13
CHARGING THE BATTERY	13
SETTINGS MENU	15
ERROR CODES	15

<b>07 SIZES AND DIMENSIONS</b>	<b>17</b>
--------------------------------	-----------

<b>08 TECHNICAL SPECIFICATIONS</b>	<b>18</b>
------------------------------------	-----------

<b>09 ASSEMBLY AND SPARE PARTS</b>	<b>20</b>
------------------------------------	-----------

DIMENSIONS OF THE STEERING TUBE	20
MOTOR BH 1E-36V	20
BATTERY	21
DISPLAY	21
DIFFERENTIAL OR REAR AXLE	22
SADDLE POST	22
SPEED SENSOR	22
ACCESSORIES	23
ACCESSORIES	23
CABLING OF THE MECHANICAL PARTS	25
CABLING OF THE ELECTRICAL SYSTEM'S PARTS	27
WIRING DIAGRAM OF THE ELECTRICAL SYSTEM'S PARTS	29

<b>10 DECLARATION OF CONFORMITY</b>	<b>30</b>
-------------------------------------	-----------

<b>11 HELP AND ADDITIONAL RESOURCES</b>	<b>30</b>
---	-----------

# 01 INTRODUCTION

This user manual contains important information for proper use and maintenance of the bicycle. In particular, this document contains specific information about the **TRIKES (MTR65 / MTR43 / MTN43 / MTJ43 / MTN03 / MTJ03)**. Please read the entire manual carefully. The user manuals of all MONTY models can be consulted on the website at the following address:

<https://www.montybikes.com/manuals-tecdocs/?lang=en>

Keep in mind that the manuals on the MONTY website are updated on a regular basis. Make sure you have downloaded the latest version from the website. You can check the version on the front page.

You can check the characteristics, recommendations and warranties of third-party parts on their corresponding official websites.

## SYMBOLS

This document contains different icons that refer to use, maintenance and assembly warnings. Carefully read the meaning of each one to prevent improper handling or hazardous situations that may result in serious personal injuries or fatal accidents.

### SAFETY



**DANGER:** refers to a hazardous situation that, if not avoided, will lead to serious injuries or even a fatal accident.



**WARNING:** refers to a hazardous situation that, if not avoided, could lead to serious injuries or even a fatal accident.



**ATTENTION:** refers to a hazardous situation that, if not avoided, could cause minor or moderate injuries.



**RISK OF ELECTRIC SHOCK:** refers to a hazardous situation that, if not avoided, could cause serious injuries due to electric shock or even death.



**RISK OF SHORT CIRCUIT:** refers to a hazardous situation that, if not avoided, could cause short circuits in the electrical components. Short circuits may cause damage to the electrical components and fire.

### TOOLS



**FLAT WRENCH**



**ALLEN KEY**



**TORX KEY**



**PHILLIPS SCREWDRIVER**



**TIGHTENING TORQUES:** on one side of each tool symbol, the tightening torque will be indicated in newton metre.

### TYPE OF ASSEMBLY COMPOUND



**OIL:** light lubrication for elements such as chains and cables.



**GREASE:** assembly grease.



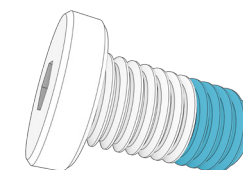
**CARBON PASTE:** assembly paste used to increase the friction of the carbon elements.



**ADHESIVE:** use medium strength thread lock.



Adhesive is used to fasten bolts and make sure that they do not come loose due to vibrations when using the bicycle. Add a drop of thread lock to the tip of the screw thread in all cases. Never apply more than one drop around the thread, since this will make it very hard to remove the bolt.



## 02 MONTY WARRANTY

MONTY BIKES undertakes to offer long-lasting bicycles, in compliance with the highest standards of quality. Therefore, in addition to the statutory warranty, MONTY BIKES offers an additional coverage and warranty. This section defines the different types of warranty and the process that must be followed to register for the additional "LifeTime Frame" warranty.

### STATUTORY WARRANTY

The statutory warranty covers the original purchaser in the event of manufacturing defects and/or non-conformities. This warranty applies to frames and components manufactured by MONTY BIKES. The warranty period will be established according to the current laws of the country where the bicycle was purchased, and will start on the date of purchase. During this period, the holder of the warranty will be entitled to have all manufacturing defects repaired or replaced free of charge, including the reimbursement of transport expenses and any losses caused as a result of this. Different conditions must be met in order to be covered by the warranty:

- This warranty does not affect the consumer's applicable rights, according to the current laws in each country.
- Faulty bicycles or parts will be covered by warranty upon the decision of our Technical Service.
- The warranty does not include the replacement of parts prone to wear and arising from normal use of the bicycle.
- The warranty does not cover defects or broken parts due to improper use of the bicycle, use for competitions, mounting of non-original accessories or improper handling and incorrect maintenance work.
- The warranty does not apply if the inspection before delivery and the corresponding inspection intervals included in this document have not been carried out, observed, documented as required and stamped by an authorised BH dealer.
- Should the repair not be satisfactory and not ensure that the optimum conditions are met according to the intended use, the holder of the warranty will be entitled to request the replacement of the purchased item or faulty part with one of identical characteristics, or to receive a refund of the amount paid for the damaged item or part.
- The warranty period will be interrupted during the repairs or, in the event of replaced items or components, it will be renewed.
- Any claim against this warranty shall expire six months after the end of the warranty validity period.
- All warranty claims must be processed by an authorised dealer.
- Geographical scope: refer to the User Manual or [www.BHbikes.com](http://www.BHbikes.com)

### EXTENDED WARRANTY UP TO 5 YEARS ON BH MOTORS

By activating the engine warranty, a 5-year coverage will be applied to BH engines. Monty provides the original buyer, through its authorized sales points, with a commercial policy for possible manufacturing defects in the BH engine, for a period longer than that indicated by the legal warranty of the product, according to the following clauses:

**1. The BH motor extended warranty solely applies to BH motors installed in BH bikes and sold through stores that are authorised by MONTY.**

- The buyer must register the warranty online, with the information duly completed, within 30 calendar days of the purchase date, as it appears on the invoice issued by the authorised store, on which the bike's serial no. must be specified.
- This warranty cannot be transferred to subsequent buyers and it is cancelled when the bicycle is sold to a third party. Original buyer means the individual who registers the warranty at the time of the purchase; the commercial warranty cannot be transferred to third parties who are not the original buyer.
- It shall be compulsory to have the bicycle serviced in an establishment that is authorised by Monty and according to the instructions in the user manual.

**2. The BH motor extended warranty shall not ever cover:**

- Fading paintwork and a loss of original colour, or corrosion caused by normal wear and tear.
- Defects or breakages resulting from an accident or improper and/or negligent use of the bicycle.
- When components or accessories have been installed that are not intended for/compatible with the use for which the bicycle was designed, and when the motor has been tampered with and/or de-limited.
- Defects resulting from improper handling.
- Scratches, discolouration, or stains caused by the use of abrasive fluids, sharp items, clamps and/or prolonged exposure to sunlight or other weather conditions.
- Improper use and/or maintenance of the product (carefully read the recommendations for use and cleaning).
- Motors that have been used in competitions, demos or in rentals.
- Motors mounted on bicycles of the MONTY range.

Read the full terms and conditions at:

[https://www.bhbikes.com/es\\_es/garantia-monty](https://www.bhbikes.com/es_es/garantia-monty)



## REGISTERING BH MOTOR WARRANTY

You must register the bicycle within 30 days after purchase to enjoy the BH BIKES additional warranties. The process to activate the extended warranties is described below:

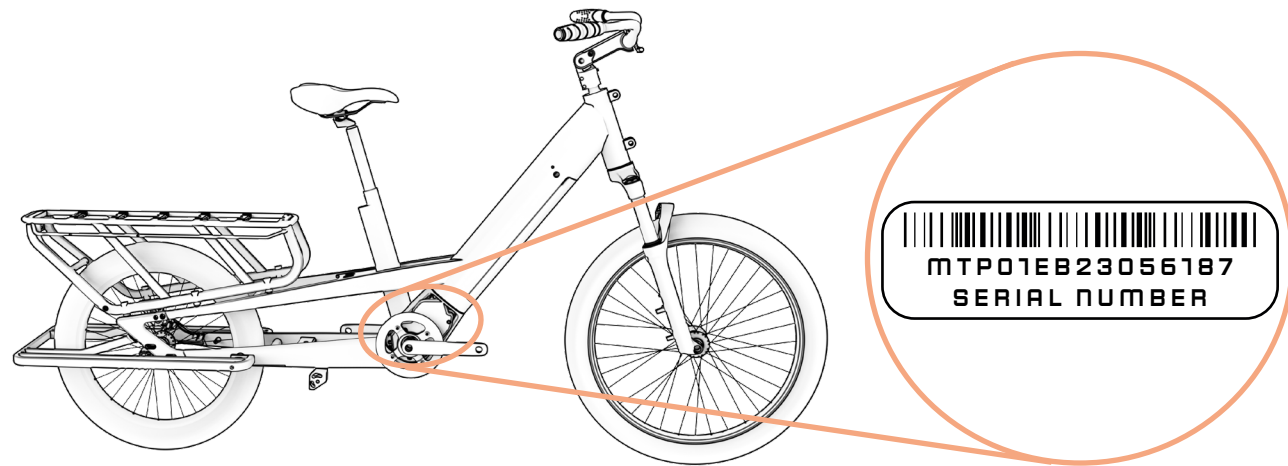
- **5 YEARS WARRANTY ON BH ENGINES**

Registration of the BH engine warranty for Monty bicycles and tricycles must be done from the following website:

[https://www.bhbikes.com/es\\_INT/garantia-monty](https://www.bhbikes.com/es_INT/garantia-monty)

## MONTY SERIAL NUMBER

- ⚠ The serial number required to register the bicycle is located on the bottom of the bicycle, on the seat tube, above the bottom bracket:



## WARRANTY OF PARTS OF THE ELECTRICAL ASSISTANCE SYSTEM

Under no circumstances shall the warranty cover the wear and natural ageing of batteries due to use, charging and storage. Likewise, the buyer must contact the original manufacturer to use the warranty of third-party parts.

## SUBMITTING A WARRANTY CLAIM

All warranty claims must be channelled through an official BH dealer. The dealer will analyse the claim to identify its scope and perform a preliminary assessment of the incident. The dealer will submit and process the claim directly with BH. Once BH has defined the corrective measures required, the dealer will send this information to the customer.

All claims must be processed by the official dealer from which you purchased your bicycle. If this is not possible, please contact us directly. We will help you find an authorised dealer near you:

<https://www.montybikes.com/contacto/>

## CONDITIONS THAT MAY AVOID THE WARRANTY OF ELECTRICAL COMPONENTS

The Monty battery and electrical components are covered by the statutory warranty, but the following requirements must be met:

- No electrical components must be removed or tampered with.
- The service life will vary according to the use, charging and storage conditions.
- Keep the battery charged at all times. Otherwise, the battery may deteriorate faster than normal.

## 03 MAINTENANCE

This user manual contains important information for **TRIKES (MTR65 / MTR43 / MTN43 / MTJ43 / MTN03 / MTJ03)**. Please read the entire manual carefully. The user manuals of all MONTY models can be consulted on the website at the following address:

<https://www.montybikes.com/manuals-tecdocs/?lang=en>


Keep in mind that the manuals on the MONTY website are updated on a regular basis. Make sure you have downloaded the latest version from the website. You can check the version on the front page.


You can check the characteristics, recommendations and warranties of third-party parts on their corresponding official websites.


### INSPECT THE BICYCLE BEFORE USE

Bicycles are inspected several times throughout the manufacturing process and then at the Monty workshop during the final check. As the bicycle's operation may be affected during transport or third parties may have modified the bicycle before its sale, the following must be checked before each trip:

- **FRAME:** no cracks, damage or strange noises.
- **CHAIN:** it must be lubricated and the transmission system must not make any strange noises.
- **BRAKES:** the brakes must be working properly. When stopped, press the brake lever with enough strength and check that it does not touch the handlebars.
- **TYRES:** the pressure must be correct and there must be no cuts on the tread or on the sides. Also check that the wear level does not exceed the maximum recommended level.
- **WHEELS:** the wheels must rotate freely in order to check how they rotate. Also check the space between the brake lining and the rim, as well as the space between the frame and tyre.
- **STEERING:** the steering must turn smoothly and with no strange noises.
- **SWINGARM ROTATION POINTS:** when weight is exerted on the bicycle, the suspension must work as expected and with no strange noises. If it is not working properly or there is play between the moving parts, this might mean that the tightening torques are incorrect or that the bearings are worn.
- **BEARINGS:** the bearings must work properly and with no strange noises. The bearings are subject to wear and must be replaced to prevent damage to the components on which they are installed.
- **ELECTRICAL SYSTEM:** if the bicycle features an electrical system, check that it is functioning properly by ensuring that the electrical assistance mode is running and that all parts are functioning properly (motor, display, change of assistance mode and speed sensor). If there is no electrical assistance, check that all connections are correct and show no signs of damage.

 Do not ride your bicycle if it does not meet any of these points! A faulty bicycle may cause serious accidents! If you are unsure or have any queries, please contact your nearest Monty workshop!

 Check the tightening torques to make sure that they are as described in the recommendations in the user manuals. Failure to observe these recommendations may result in accidents and even death.

 The effect of the ground and the forces exerted on the wheel subject the bicycle to a lot of stress. The different parts will be subject to fatigue and wear because of these dynamic loads. Check the bicycle at regular intervals to look for signs of wear, scratches, bent parts, wear on the finish or the formation of cracks. Parts may fail suddenly after their service life has expired. Take your bicycle to an authorised Monty workshop regularly to have these parts replaced if needed.

### KEEP THE BICYCLE CLEAN

We recommend you follow these basic prevention measures to make sure that the bicycle is in perfect working order. Failure to observe these recommendations may lead to premature wear or even breakages in specific areas, such as gaskets or moving parts.

- Clean the dust and mud with a damp sponge and a gentle and neutral cleaning product.
- Plastic parts must only be washed with soapy water.
- Tyres can be washed with a sponge or brush and soapy water.
- After cleaning the bicycle, dry it by rubbing it firmly with a smooth cloth.
- After each cleaning, lubricate the transmission elements.

 Dirt may cause damage that can result in accidents or even death.

 Never use pressure washers or steam cleaners.

### KEEP THE TRANSMISSION LUBRICATED AT ALL TIMES

After washing the bicycle, the chain transmission's lubrication may have also been washed off. Inspect and lubricate the chain's links, if needed. Excess lubrication may attract more dirt, causing premature wear and incorrect functioning of the system.

 Never use pressure washers or steam cleaners.


### PART MAINTENANCE

The bicycle requires regular maintenance and a minimum number of regular inspections. The frequency of the maintenance operations depends on the type of vehicle (leisure, road or mountain bike), as well as the frequency and conditions of use.

## PART MAINTENANCE CALENDAR

Part	Action required	Before each outing	Monthly	Annually
Lighting	Functional check.			
Tyres	Pressure check.			
	Inspect the height of the profile and sides.			
Brakes (on the rim)	Check the lever travel, lining strength and rim position.			
	Brake test when stopped.			
	Clean the brake pads.			
Brake cables	Visual inspection.			
Brakes (disc brakes)	Change the brake fluid (DOT fluid).			
Suspension fork	Check the bolts and the corresponding tightening torque.			
	Change the oil and lubricate the elastomer.			
Saddle seat post with suspension	Maintenance.			
	Play check.			
Rims on rim brakes	Inspection and replacement, if needed, of the wall linings.	At the latest after the second part of the brake lining.		
Bottom bracket axle	Check the play.			
	Re-lubrication.			
Chain	Check and lubrication.			
	Check and replacement.	After 800 km.		
Chainsets	Check and tightening.			
Wheels / Spokes	Check wheel spin and spoke tension.			
Headset	Inspection of the headset.			
	Re-lubrication.			
Metal surfaces	Maintenance.	At least once every six months.		
Hubs	Bearing inspection.			
	Re-lubrication.			
Pedals	Bearing inspection.			
	Lubrication, cleaning the anchoring mechanism.			

Part	Action required	Before each outing	Monthly	Annually
Saddle seat post / Stem	Inspection of the fastening screws.			
Rear derailleur / Derailleur	Cleaning, lubrication.			
Quick-release mechanism / Thru-axle	Efficacy check.			
Nuts and bolts	Check and tightening.			
Spokes	Tension check.			
Stem / Saddle seat post	Removing and applying new assembly paste.			
Circuit / Brakes	Disassembly and greasing.			
Components of the electrical assistance system	Check the connections.			
	Check there is no dirt.			

 You do not need to take the bicycle to an expert if you are skilled, experienced and have the appropriate tools. Immediately implement the corrective measures if you detect problems. If you are unsure or have queries, please contact Monty.

 The tasks described above must only be carried out by a trusted bike repair expert.

## SPARE PARTS

Original parts must be used to ensure the optimum performance of your bicycle and the utmost safety. Failure to use original parts may cause damage that is not covered by the warranty.

The most common spare parts are parts prone to wear. The most common ones are tyres, inner tubes, brake pads, disc brakes and brake pads, as well as rims, when these are part of the brake unit, headlights, position lights, batteries and accumulators.

- **TYRES:** Replace them with an equivalent type of tyre. Check the marking on the outside of the tyre (ETRTO standard). Keep in mind that using a tyre with a larger outer diameter than the recommended one may cause the tip of the foot to touch the front wheel or rear wheel guard when the handlebars turn. The cyclist may lose control of the bicycle and suffer an accident with serious consequences. This can also occur when the pedal chainset is replaced with a longer one.
- **INNER TUBES:** Replace them with a suitable type of inner tube, according to the type of tyre. Refer to the information on the outside of the inner tube (ETRTO standard).
- **DISC BRAKES AND BRAKE PADS:** Follow the instructions supplied by the manufacturer.
- **HEADLIGHTS AND POSITION LIGHTS:** Replace the bulb with one of the same type. Check the indication on the metal area.

- **CHAIN, COG AND CHAIN RINGS:** Follow the instructions supplied by the manufacturer.
- **BATTERIES AND ACCUMULATORS:** Change for the same type. Check the indication on the outer area.

 Remember that the failure to use original parts may cause damage that is not covered by the warranty.

## AFTER A FALL, BLOW OR IMPACT


If you suffer a fall, blow or impact, first make sure that you are okay to continue cycling. Do not use the bike if you are injured and ask for medical assistance if needed.

If you are okay to continue cycling, check the bicycle to make sure that it is in perfect working order:

- Check that the wheels are firmly secured and that the rims are in the centre of the frame and fork. Turn the wheels. If they cannot be centred in situ because the gap is too small, separate the brakes from the rim so it can move freely.

 In this case, keep in mind that the braking efficacy will be less.

- Check whether the handlebars or the front of the frame are twisted or broken. Check that the front is firmly seated on the fork, holding the front wheel firmly between your legs and trying to twist the handlebars with respect to the front wheel.
- Check that the chain is fitted correctly. If the bicycle fell onto the transmission side, check that it is working properly. Ask for help to place the bicycle on its saddle and change gears. When the chain fits on the largest cog, check the distance between the gear and the spokes. If the gear or bracket are bent, the first one may become stuck on the spokes - Danger of falling! The gear, rear wheel or frame may be damaged. Check the derailleur. If it has shifted, the chain may come off the gear. The bicycle's transmission will become less effective (also refer to the "Traction" section).
- Check the saddle, upper tube or the bottom bracket box to make sure that there are no defects.
- Lift the bicycle slightly and let it drop onto the ground. If there are any noises, inspect the bicycle for any loose bolts.
- Inspect the entire bicycle again to check for bent areas, worn finish or cracks.
- Ride again carefully if no problems have been detected during the inspection. Do not brake or accelerate suddenly or pedal when going uphill. If you are unsure, wait for a car to pick you up instead of risking an accident. Once home, you should inspect the bicycle carefully again. If you are still unsure or have any queries, please contact your nearest MONTY workshop!

 Bent aluminium parts must not be straightened, i.e., they must not be repaired. Even afterwards, there is a high risk of breakage, especially in regards to the fork, handlebars, front part, chainsets and pedals. Replace them for greater safety.

# 04 WARNINGS ON USE

## MAXIMUM TYRE SIZE

If you install a tyre of a different size on your bicycle, check and make sure that there are at least 6 mm between the tyre and other parts of the frame and fork.

## MINIMUM AND MAXIMUM INSERTION LENGTH OF THE SEAT POST

Failure to observe the maximum and minimum seat post insertion dimensions indicated in this manual may cause a lever effect on the frame. The pressure exerted could damage the frame and cause serious accidents. The warranty does not cover the damage generated by failing to observe these indications.

## MAXIMUM FORK LENGTH (AXLE-TO-CROWN)

Observe the maximum length between the fork axle and the lower part of the steering tube (axle-to-crown). If this maximum length is not observed, the frame could be damaged due to withstanding a greater load than that for which it was designed and may cause serious accidents.

## MAXIMUM NUMBER OF STEERING SPACERS

This manual specifies the maximum number of steering spacers that can be fitted under the stem. If this maximum quantity is not observed, the materials could be damaged due to withstanding a greater load than that for which they were designed and may cause serious accidents.

## POSITION OF THE SPINDLE INSIDE THE FORK TUBE

No steering spacers must be fitted above the stem. Otherwise, the materials could be damaged due to withstanding a greater load than that for which they were designed and may cause serious accidents.

## INTENDED USE

Each bicycle has been designed according to a specific intended use. The models described in this manual meet the requirements associated with their intended use:

This is a set of conditions for the operation of the bicycle that provides for its use on city roads. In addition, the wheels must be kept in contact with the running surface at all times



## OPTIMAL PERFORMANCE OF THE VEHICLE

The following are some instructions for the user to follow for the proper operation of the tricycle:

### WHAT YOU NEED TO KNOW ABOUT MOTOR ASSIST?

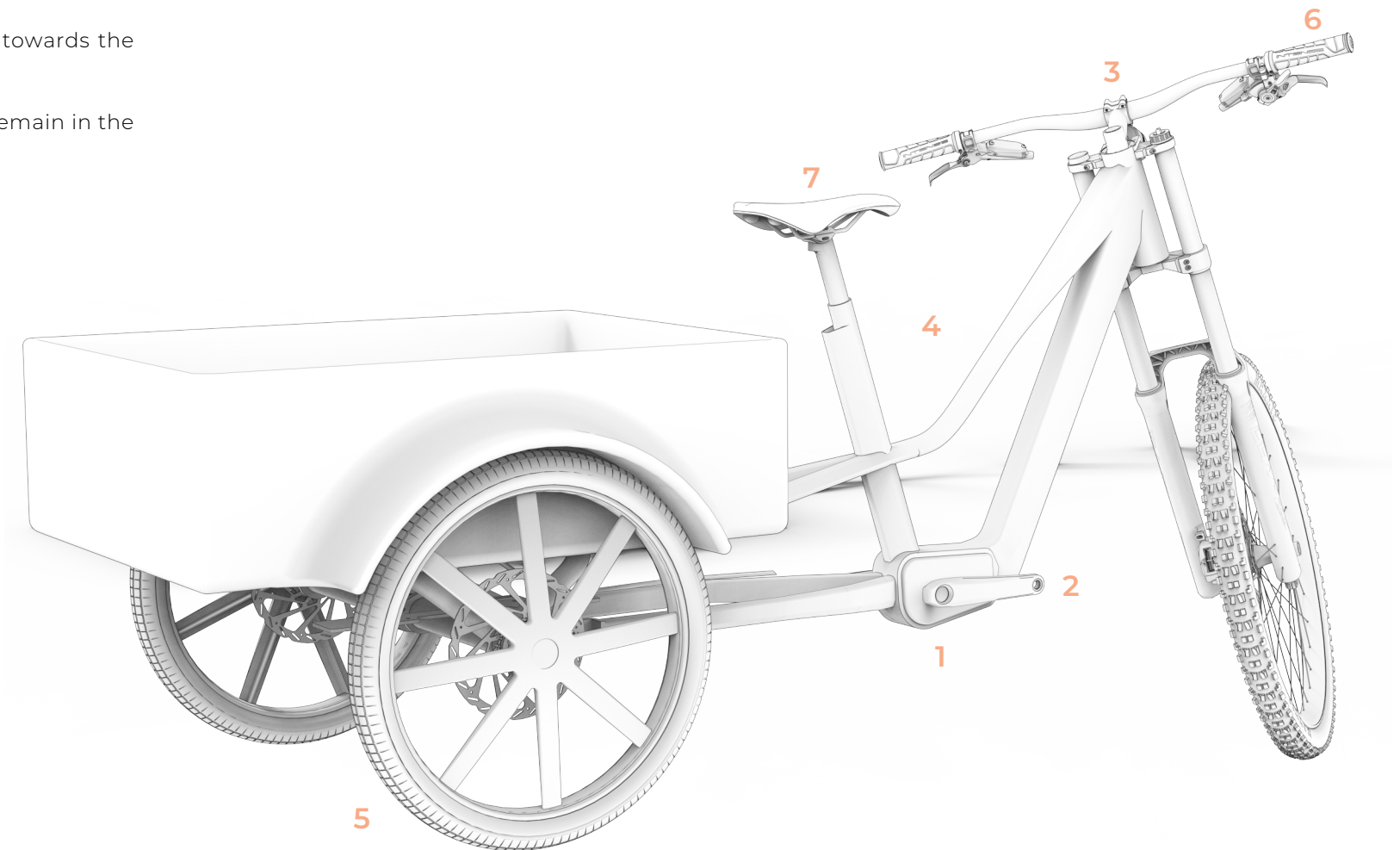
1. The motor assistance is not immediate and therefore you must start pedalling with your own power. First, you start pedalling at idle until the engine starts in order to generate the assistance. The time lag between the start of pedalling and the sensation of engine thrust is very short.
2. It is recommended to avoid putting your foot on the pedal by pressing down on it when the user is off the trike, as this can activate the assistance. If the user is not correctly seated at the moment of movement, dangerous situations may occur.

### HOW DO I ACT IF THERE ARE CURVES?

3. On winding or curved sections of road, remember that the route should be as wide as possible. The wider the turns, the greater the stability of the vehicle.
4. If for any reason the tricycle becomes unstable when cornering, the weight of the body should be leaned towards the inside of the curve. The counterweight exerted by the user helps to correct the trajectory.
5. It is important to keep all three wheels of the trike in contact with the pavement at all times. If any of them remain in the air, braking may be more difficult or make manoeuvrability more difficult.

### HOW IS IT DIFFERENT FROM RIDING A BIKE?

6. In contrast to bicycles, the handlebars must be turned in the direction you want to go. If the user uses the counter-handlebar technique, the result will not be what is expected.
7. In situations such as parking, if the user wishes to move the tricycle using only his own strength, it is advisable to do so standing up. It is contraindicated to drag your feet on the ground or to use them to propel the tricycle when the user is sitting on the saddle.



# 05 WARNINGS ON USE OF THE ELECTRICAL ASSISTANCE SYSTEM

## CARE AND INSTRUCTIONS FOR USE OF THE ELECTRICAL COMPONENTS AND BATTERIES


All Monty products and parts have been designed to withstand splashed liquids and rain. However, some practices may cause damage to the parts and short circuits. Do not do the following:

- Wash the bicycle with pressure devices.
- Use the bicycle under adverse weather conditions.
- Transport the bicycle on the outside of a vehicle when it is raining.
- Expose the batteries to very high temperatures. If the temperature exceeds 70°C, this could cause leaks and there could be a risk of fire.
- Fail to observe the working temperature, storage and charging range of the bicycle.

## RECOMMENDATIONS TO MAXIMIZE THE BATTERY LIFE

We recommend the following to maximise the battery life:

- Charge it on a flat and stable surface.
- Make sure that it is not exposed to direct sunlight.
- Make sure that there are no children or pets near.
- Make sure that there is no rain or dampness.
- The place must be well ventilated and dry.
- The temperature must be between 15-25°C.
- Do not use the battery with a charge of less than 10%. The useful life of the cells may be affected below this charge level.

 Any unauthorised handling of the electrical system's components may cause serious accidents and will void the warranty.

## WARNINGS ON THE USE OF BATTERIES

Improper use of the batteries may cause damage and serious accidents. Follow these recommendations to prevent this:

- Always use the original battery charger.
- Never leave the battery near sources of heat.
- Do not heat the battery or throw it into a fire.

- Prevent the battery connections from coming into contact with metal objects.
- Do not submerge the battery in water and prevent splashes and dampness.
- Do not hit or drill holes into the battery.
- Make sure that the battery liquid does not touch your hands or eyes in the event of a leak.
- Do not use it if there are external signs of damage.
- Only clean the battery with a dry or damp cloth.

## UNSUITABLE CHARGING AND DISCHARGING ENVIRONMENTS AND SOLUTIONS

The hot and cold environments described below may lead to charging entering standby or sleep mode without fully charging the battery.

- **Winter discharging sleep mode or DUT (Discharge Under Temperature):** Battery discharging will enter the deep sleep mode if the temperature is below -20°C, stopping the pedal assistance system from working and protecting the battery. In such cases, sleep mode will automatically be disabled when the battery exceeds -20°C.
- **Winter charging sleep mode or CUT (Charge Under Temperature):** Battery charging will enter sleep mode if the temperature is below 0°C. If charging starts and the temperature falls below this level due to night cooling or other factors, charging will stop and sleep mode will be activated to protect the battery. In such cases, sleep mode will automatically be disabled when the battery exceeds 0°C.
- **Noise on televisions/radios/computers:** Charging near televisions, radios or similar devices may cause static electricity, flickering images and other interference. If this happens, recharge somewhere that is away from the television or radio (e.g. in another room).

## RECYCLING

Ion-lithium batteries can be recycled but they may harm the environment if they are not managed properly after the end of their service life. Follow these steps after the end of their service life:

- Classify and recycle each electrical component in a place prepared for the sustainable recycling of such parts.
- Check and make sure that the applicable regulations of your country are observed with regards to batteries.

## MOTOR

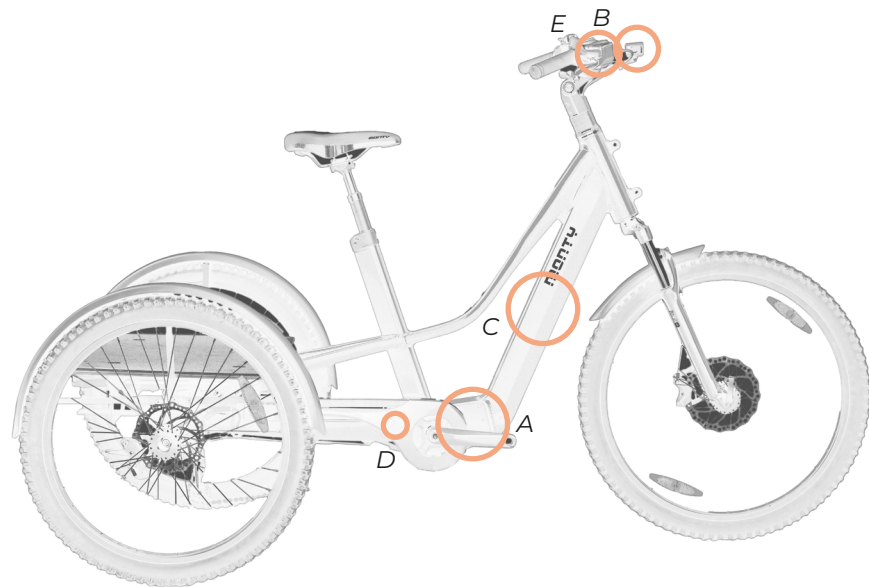
The DC motor is located on the bottom bracket axle. The motor's service life depends on its use, as in the case of any other part of the bicycle. Under normal conditions, the motor can last for 10 to 20 years, or up to 100,000 km.

# 06 PEDAL ASSISTANCE SYSTEM OPERATION

## COMPONENTS OF THE PEDAL ASSISTANCE SYSTEM

The Monty Bikes pedal assistance system is made up of the following components:

- **A. A motor**, which drives the bicycle.
- **B. A control panel** which, among other things, allows you to select the assistance mode.
- **C. A battery**, which powers the motor.
- **D. A torque sensor**, which reads the force applied to the pedal by the user.
- **E. A display**, which shows relevant system information.



## PEDAL ASSISTANCE SYSTEM

The pedal assistance system is designed to provide the optimal amount of assisted power. It provides assistance within a standard range, based on factors such as the pedalling force, the speed of the bicycle and the transmission.

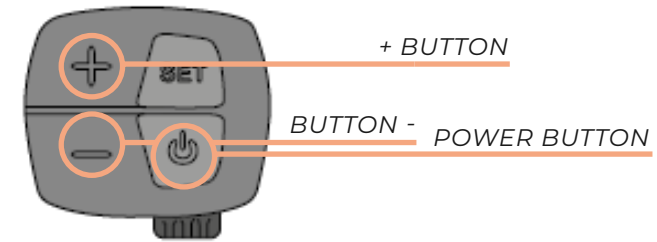
The system does not provide assistance in the following situations:

- If the control panel is off.
- When travelling at 25 km/h or faster.
- If you are not pedalling and the throttle function is released at 6 km/h.
- If there is no remaining battery capacity.
- If the assistance mode selected is 0% assistance.

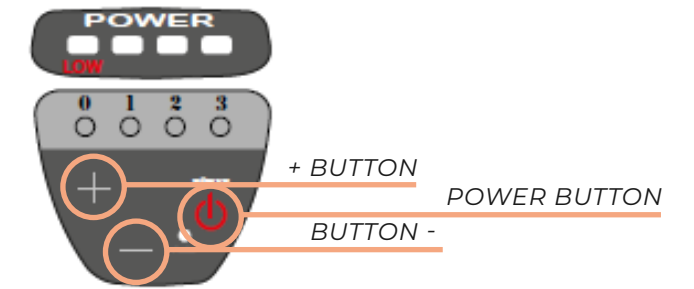
## PARTS OF THE CONTROL PANEL

The general control knob is located on the left side of the handlebar next to the grip. It consists of the following parts:

DISPLAY ROCKET



DISPLAY NUKE

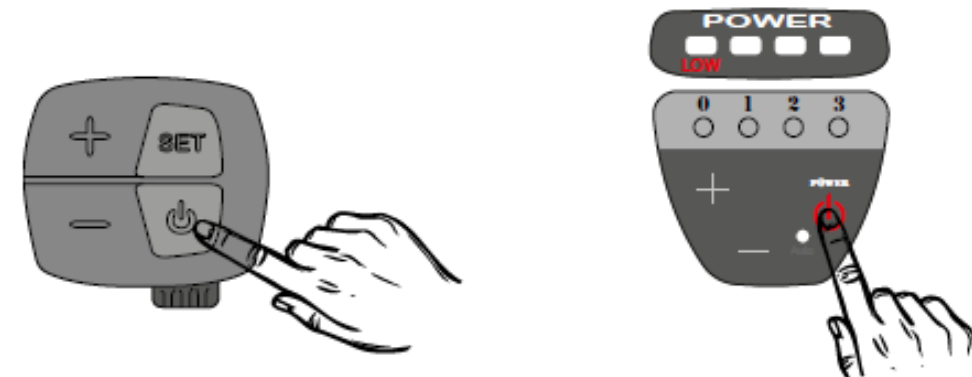


## TURNING THE PEDAL ASSIST SYSTEM ON AND OFF

The pedal assist system is turned on from the control knob located near the left handlebar grip. Pressing the power button once will start the system. The display will light up showing the current pedal assist mode.

To turn off the pedal assist system, press and hold the power button for 3 seconds. The display will then turn off and the system will be switched off.

- ⚠ After switching on the system, be careful when starting to ride without checking the assistance mode. By default, the controller starts in the green assist mode.
- ⚠ Wait 3 seconds after the system is switched on before you start pressing on the pedals. During this 3 second period, the assistance system is initialising and calibrating the torque sensor. If you do not do this and press on the pedals before this time, you may weaken the assistance and you may even get the overcurrent error: error number 9 for Rocket models or error number 0 for Nuke models (See Error Codes Section). To remedy this, try switching off and restarting the system without pressing on the pedals during the 3 second period.



## TURNING THE BIKE LIGHTS ON AND OFF

To turn the lights on or off, briefly press the power button (on Rocket models) or the button (+) for a couple of seconds (on Nuke models). This function is available on models equipped with a battery-powered light system.

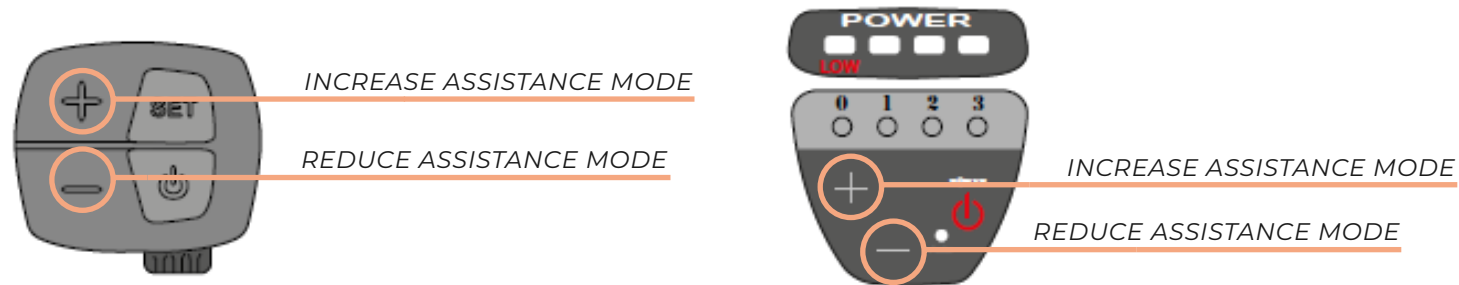


## SELECTING THE PEDAL ASSISTANCE MODE

The system has the following pedal assist modes:

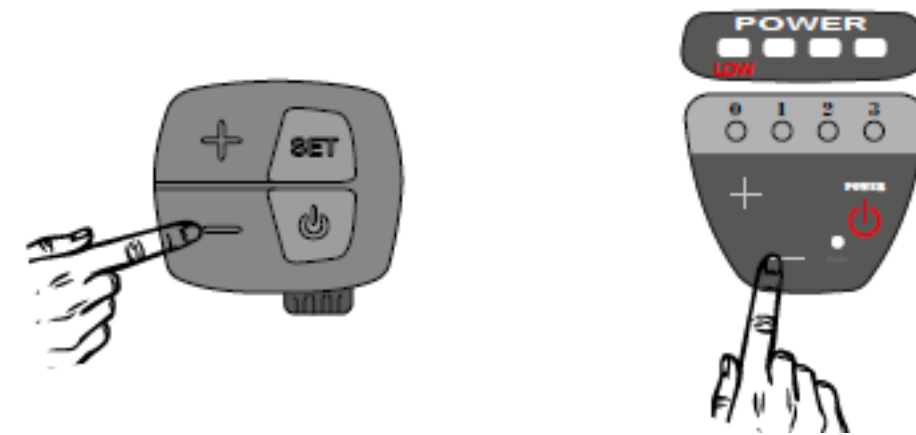
- **Power (4-5):** Identified by the colour **Red**. Use when you want to get the maximum power from the system or when climbing difficult terrain.
- **Normal (2-3):** Identified by the colour **Blue**. Use when you want to ride more comfortably, such as when climbing a steep hill.
- **Eco (1):** Identified by the colour **Green**. Use when you want to travel as far as possible.
- **Walk assist:** Use when you want to transport the bike on foot.

To move through the assist modes, the user must press the (+) button to increase the assist mode and the (-) button to decrease the assist mode.



## WALK ASSIST MODE

The walk assist mode helps the user to transport the bike on foot. To activate it, press and hold the (-) button on the control knob, regardless of the currently selected assist mode. For Rocket models the (-) button must be pressed for 3 seconds and for Nuke models for only 2 seconds. In both cases the system decelerates to 6km/h.



## START OF PEDALLING

The rider should position himself on the saddle and keep a firm grip on the handlebars before putting his weight on the pedals. Particular attention should be paid if you start pedalling in POWER mode, as the motor will react with maximum thrust and there is a risk of loss of control.

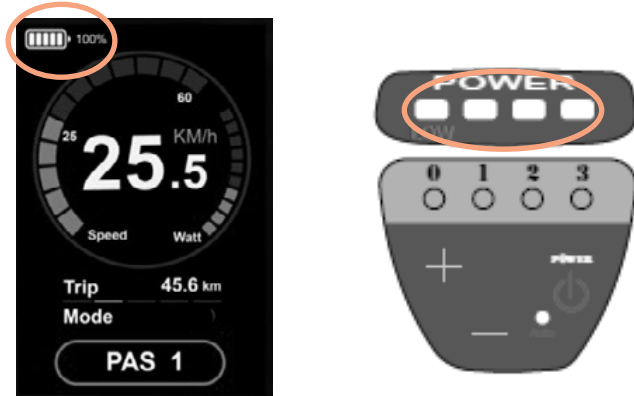
- ⚠ Start pedalling with a short gear ratio (higher sprockets) and with a low assistance mode (ECO mode). In addition to greater control and safety on the bike, you will require less energy consumption and therefore greater autonomy. Please note that starting in a higher assistance mode (POWER and NORMAL modes) may pose a safety risk to the rider.
- ⚠ When the rider pushes the trike while walking to the side, make sure that the system is in WALK ASSIST mode.



## DISPLAYING THE BATTERY CHARGE LEVEL

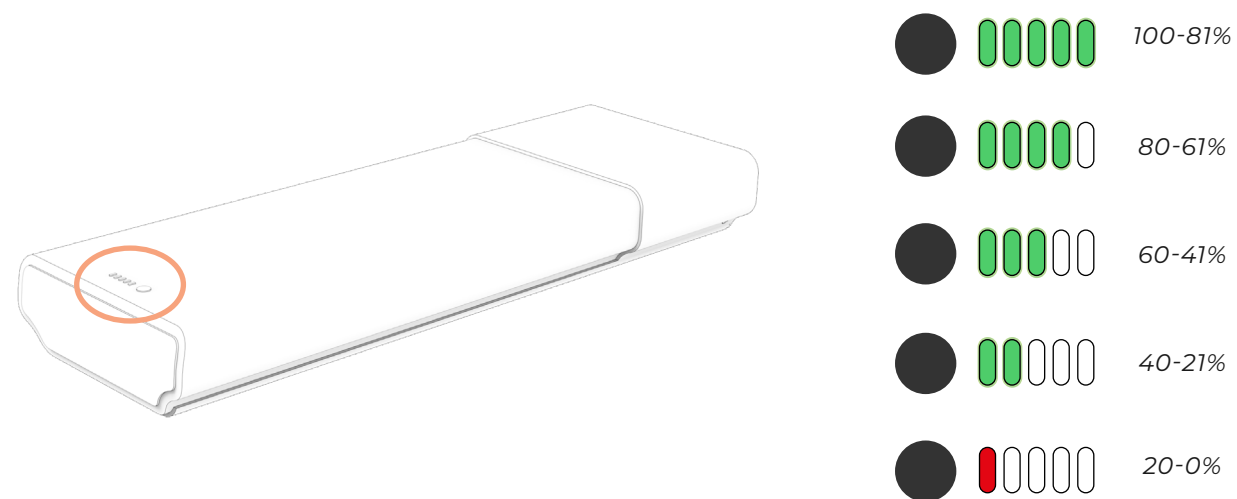
A 100% charge provides full autonomy. On the tricycles, the battery charge level can be displayed in 2 different ways: from the display or from the removable battery. In all cases the battery charge level indicator shows an estimate of the remaining battery capacity:

- **Display:** at the top of the display shows the battery icon accompanied by the percentage of the battery charge level:



- ⚠ The range of the system will vary depending on, among others, the following driving conditions: frequent starts and stops, transmission development, numerous steep inclines, poor road conditions, transport of heavy loads, strong headwind, low ambient temperature, battery deterioration, use of integrated lighting, poor tyre, chain or brake pressure settings.

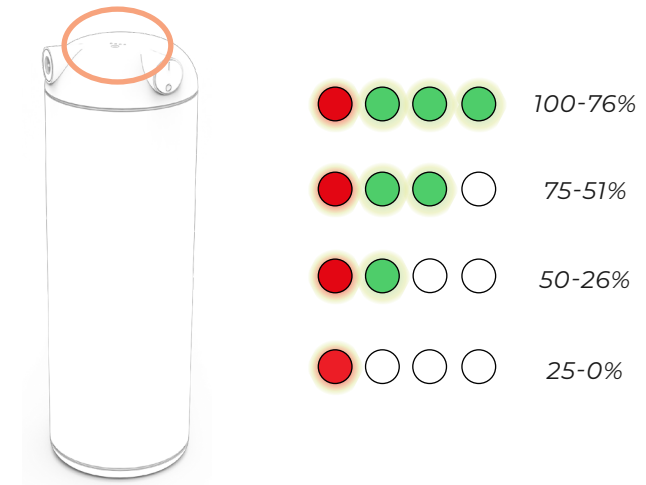
- **Rectangular battery:** as shown in the image, the battery has 5 LEDs. These will indicate the charge level of the battery depending on which LEDs are on and off. The capacity of the battery in each case will be as follows:



- ⚠ **ATTENTION:** For batteries without wake up mode, the button (indicated in black) must be pressed to switch it on.

- **Cylindrical battery:** as shown in the image, the battery has 4 LEDs. These will indicate the charge level of the battery depending on which LEDs are on and off. The capacity of the battery in each case will be as follows:

- ⚠ **ATTENTION:** To display the charge level, press the button above the LEDs.



## BATTERY AND CHARGER

The battery of your MONTY bike is equipped with lithium-ion cells and is the most advanced technology available in terms of energy density (energy stored per kilogram of weight and per cm<sup>3</sup> of volume).

Lithium-ion batteries have the following characteristics:

- Their performance decreases in extremely hot or cold environments.
- An additional feature of MONTY's lithium-ion batteries is that they have no "memory effect" and are not affected by incomplete discharge.
- They lose their charge naturally and progressively with use. The battery can be fully discharged (100%) approximately 500 times, with a maximum battery deterioration of 20%. In the case of partial discharges, only the discharged part is counted. For example, if you charge the battery every time its charge level drops by 25%, you can charge it to 100% of its initial capacity 2,000 times. In short, the guaranteed lifetime of the battery with a maximum degradation of 20% is at least 20,000 km.

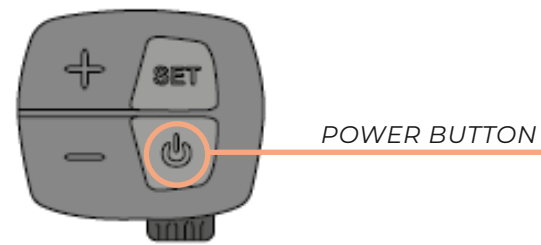
## CHARGING THE BATTERY

Due to its advanced Lithium-Ion technology, there is no need to wait for the battery to fully discharge before connecting it to the charger. It is also not necessary to charge the battery to 100% before you can use it again. Please note, however, that in order to achieve maximum range, it is advisable to charge the battery fully.

The battery can be charged either inside the bike or by removing it from the frame. The steps for charging the battery correctly are described below:

## HOW TO CHARGE THE BATTERY.

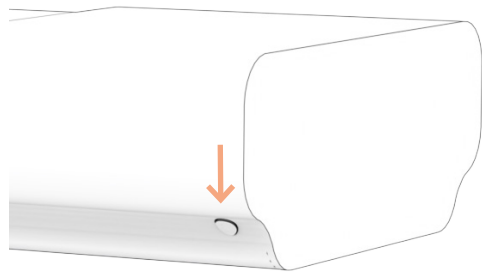
1. SWITCHES OFF THE DISPLAY.



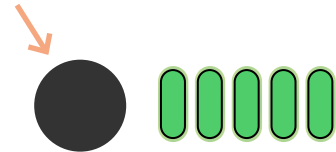
2. DISCONNECTS THE BATTERY AND OPENS THE BOX LOCK TO RELEASE THE BATTERY.



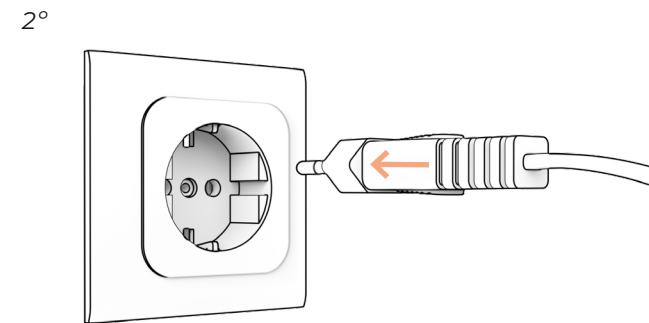
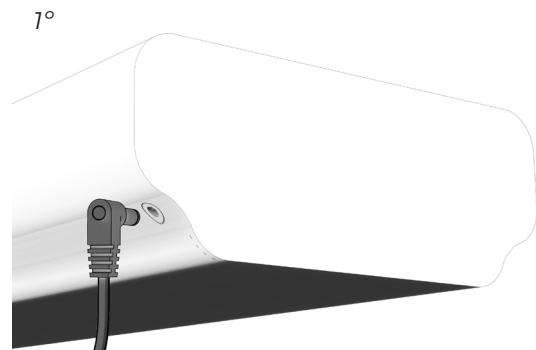
3. OPENS THE COVER THAT GIVES ACCESS TO THE CHARGING PORT ON THE BATTERY.



4. SWITCH ON THE BATTERY BY PRESSING THE ROUND BUTTON NEXT TO THE LEDS.

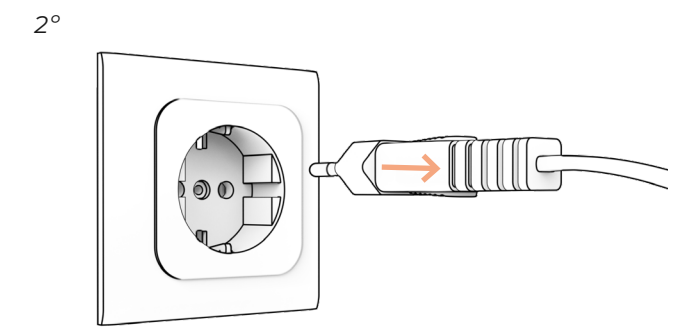
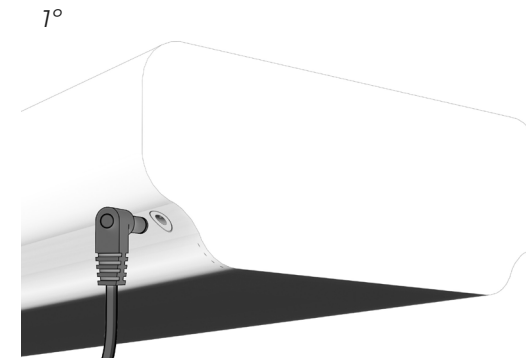


3. ALWAYS CONNECT FIRST TO THE BATTERY AND THEN TO THE MAINS.



4. DISPLAYS THE CHARGING STATUS AND ERRORS.

5. WHEN CHARGING IS COMPLETE, ALWAYS DISCONNECT THE CHARGER FROM THE BATTERY FIRST AND THEN FROM THE POWER.



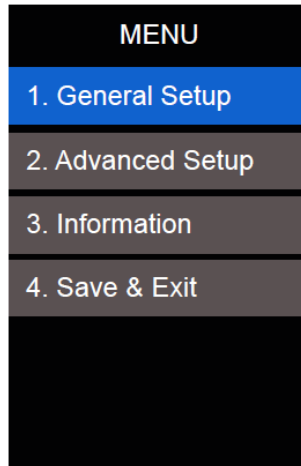
6. CAREFULLY CLOSE THE CHARGING PORT COVER TO KEEP DIRT AND MOISTURE OUT.

- ⚠ Never charge or use a damaged battery.
- ⚠ Be careful not to touch the charger during the charging process. It can be very hot, especially in high ambient temperatures.
- ⚠ If a fault occurs during battery charging, remove the charger's power plug from the socket and wait until the battery cools down.
- ⚠ Never touch the power plug, charging plug or contacts with wet hands.
- ⚠ Make sure there is no foreign matter on the battery contacts before inserting the battery into the bicycle.
- ⚠ Do not connect the power plug of the charger to the charging port of the battery or the bicycle if it is wet or damp. Be sure to connect the power plug only after the charging port of the battery or bicycle has dried completely.
- ⚠ Do not apply excessive force to the power plug or pull the cable with the power plug connected to the battery.
- ⚠ Turn off the pedal assist system before removing the battery from its location on the bicycle.
- ⚠ Use both hands to remove the battery from its location, taking care not to drop it. Dropping the battery on your foot can cause injury and may damage the battery.
- ⚠ Use only the supplied charger to charge the battery.
- ⚠ Before a long period of non-use or storage, charge the battery to 70-80%. And try to keep the charge level always higher than 20%.
- ⚠ If the load is in sleep mode, make a full charge (100%) to reactivate it.

## SETTINGS MENU

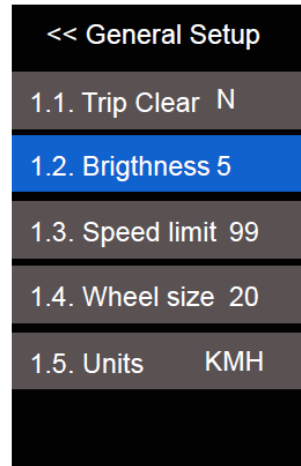
On Rocket models, the user can access the settings menu by pressing the SET button on the control knob for 3 seconds. Pressing the (+) and (-) buttons will move through the different setting options and pressing the POWER button will enter the selected menu. Also, the system will exit the setting menu when the user has finished the selection and press SAVE&EXIT.

**⚠** For all adjustment procedures, be sure to stop the trike and perform them in a safe place. Otherwise, inattention to surrounding traffic could cause a fatal accident.



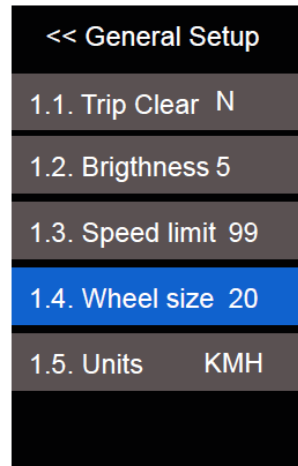
### General Setting Selection.

To access the system and initiate a system reset, the user must select this section.



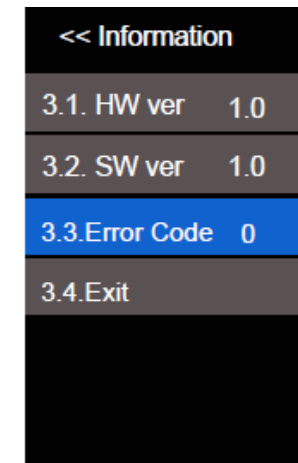
### Screen Brightness Selection.

For a correct display of the screen, the user can vary the brightness of the screen.



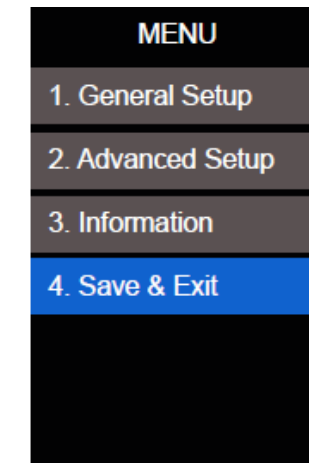
### Wheel Size Selection.

At any time, the user can change the wheel size.



### Error codes.

The user can display the error codes of the trike.



### Finalise the resetting process.

To register the new selections, the user must press save and exit.

## ERROR CODES

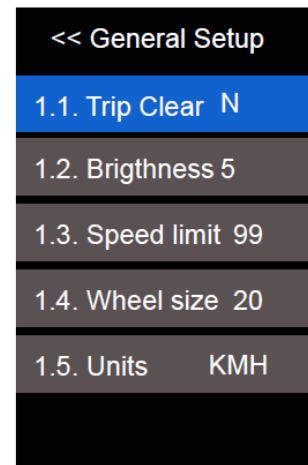
When there is an error, it will be shown on the display screen. In some cases, by accessing the error notification, it will be possible to view the steps to follow to try to correct the error. The following table describes the errors and their solutions.

### DISPLAY ROCKET



### DESCRIPTION ERRORS

Code	Description	Action to be taken
0	Normal status.	-
2	Current error or MOS damaged.	Restart system.
3	Engine stall.	Restart the system.
4	Undervoltage.	Fully charge the battery with the original charger.



### Reset Trip Information.

At any time, the user can view and reset the trip information.

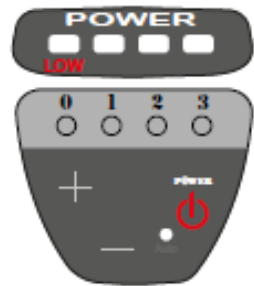


### Metric and Imperial systems.

The user can switch between metric (kilometres) and imperial (miles).

Code	Description	Action to be taken
5	Braking (start detection).	Reset system.
6	Hall sensor.	Reset system.
7	Throttle (start detection).	Restart the system.
8	Overheating.	Stop driving and wait until the engine cools down.
9	Overvoltage.	Reduce the load on the motor by pedalling less or reducing the assistance level. Reset the system.
10	Communication with controller.	Reset the system.
11	Communication with battery.	Fully charge the battery with the original charger. Restart the system.
12	Speed sensor signal.	Check the speed sensor and the position of the magnet on the wheel.
15	Communication with display.	Reset the system.

#### DISPLAY NUKE



#### ALARM SIGNAL

LED code	Description	Action to be taken
<b>0 1 2 3</b>		
● ○ ○ ○	Abnormal current level	Check if the motor is short-circuited.
○ ● ○ ○	Display error	Check if the display is connected properly.
● ● ○ ○	Motor error	Check motor and controller connections.
○ ○ ● ○	Motor connection error	Check motor and motor wiring.
● ○ ● ○	Brake error	Check if the brakes are on and properly connected.
● ● ● ●	Communication problem	Check connections between display and controller.

#### DESCRIPTION ERRORS

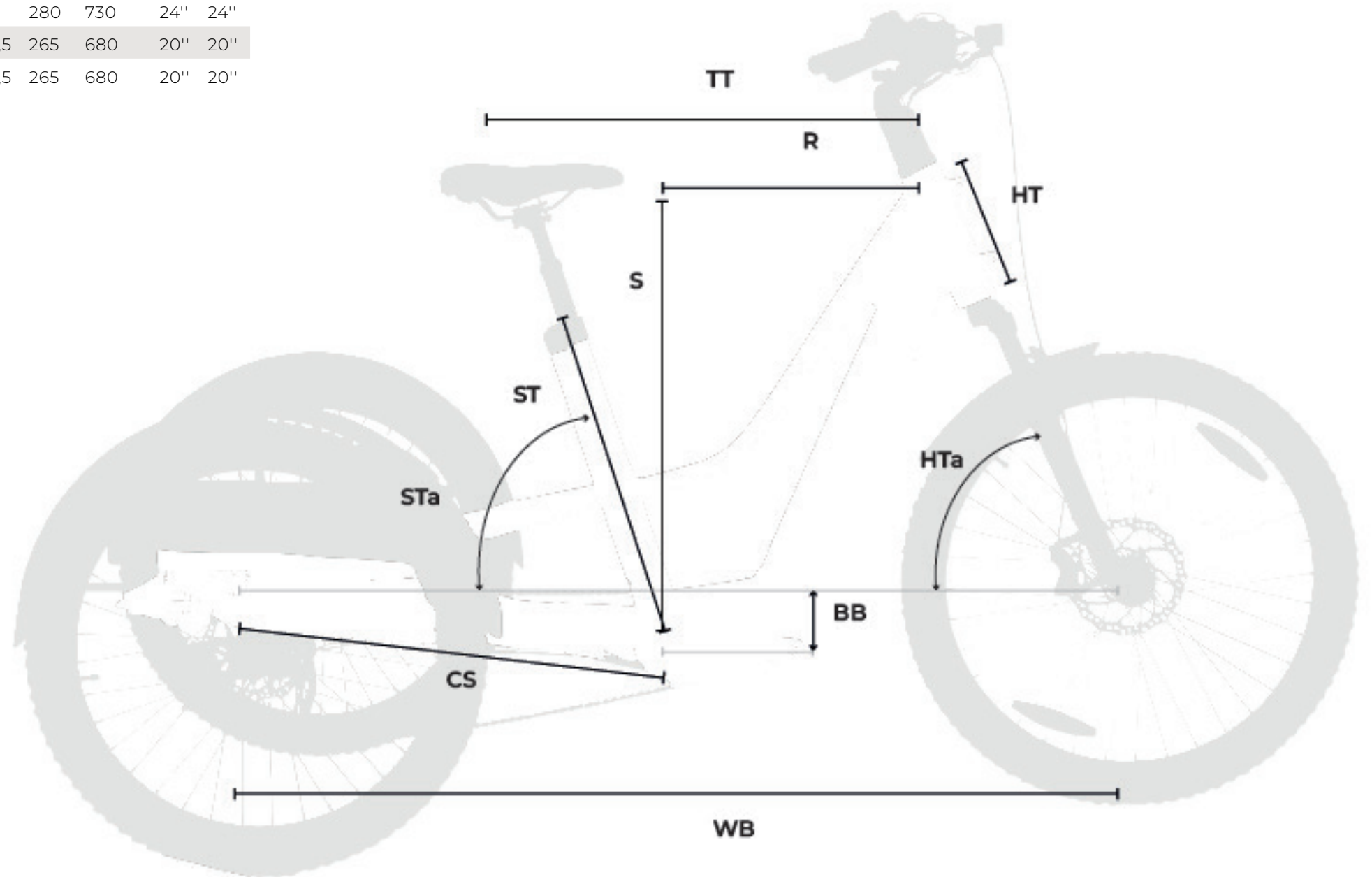
Problem	Possible cause	Solution
Battery no light indication	Switch open.	Close switch.
	Battery not charged.	Charge battery.
	Charging fuse blown.	Replace fuse.
	Battery box not in place.	Remove battery box and put in place.
Engine does not start	Problems with switch.	Replace switch.
	Battery has not been connected.	Make sure battery is ON.
	Connection error.	Check connection parts.
Speed setting does not work.	Battery is discharged.	Charge battery.
	Position: Mode	Change position "Mode" to "Mode Pas".
	Connection error or throttle grip does not work.	Professional check or replace the part.
After charging the battery, the engine loses power a few metres after starting	Low tyre pressure.	Inflate the tyre.
	Battery not fully charged.	Charge the battery again.
	Old battery.	Replace the battery.
	Bad road conditions: uphill, strong wind or frequent use of the brake.	Switch to "Mode" or ride without pedal assist.
Longer than normal charging time	Battery failure.	Replace the battery.
	Old battery.	Replace the battery.
Charger does not work properly	Connection error.	Check that the mains plug is correctly plugged in.
	Short circuit.	Change fuse.
	Charger does not work.	Change charger.
	Contact your dealer: may be motor, controller, battery failure, ...	-



# 07 SIZES AND DIMENSIONS

## TRIKES

		size	ST	TT	HT	BB	CS	WB	HTa	STa	SO	Width	d1	d2
ROCKET XC	MTR65	MD	482	600	200	58	570	1230	68	72	500	730	26"	24"
ROCKET 24	MTR43	MD	482	620	240	58	516	1211	68	72	280	730	24"	24"
NUKE 24	MTN43	MD	482	620	240	58	516	1211	68	72	280	730	24"	24"
JOG 24	MTJ43	MD	482	620	240	58	516	1211	68	72	280	730	24"	24"
NUKE 20	MTN03	MD	370	588	180	8	432	1040	72	70,5	265	680	20"	20"
JOG 20	MTJ03	MD	370	588	180	8	432	1040	72	70,5	265	680	20"	20"



# 08 TECHNICAL SPECIFICATIONS

## GENERAL SPECIFICATIONS

Characteristic	Models	Specification
<b>Frame Material</b>	All	Aluminiumio
<b>Recommended Use</b>	All	Cargo / Utility / Hybrid / Urban
<b>Sizes</b>	All	MD
<b>Suspension Design</b>	MTR65	Suspension front
	MTR43 / MTN43 / MTJ43 / MTN03 / MTJ03	No
<b>Fork travel</b>	MTR65	100 mm
<b>Fork offset</b>	All	Consult model supplier.
<b>Wheel size</b>	MTR65	26" / 24"
	MTR43 / MTN43 / MTJ43	24"
	MTN03 / MTJ03	20"
<b>Maximum front tyre size</b>	MTR65	2.35" (60mm)
	MTR43 / MTN03 / MTJ03	1.75" (45mm)
	MTN43 / MTJ43	1.5" (38mm)
<b>Seatpost</b>	MTR65 / MTR43 / MTN43 / MTJ43	Alloy Suspension
<b>Seatpost diameter</b>	All	31.6mm
<b>Maximum Seatpost Insertion</b>	All	350mm
<b>Front Derailleur</b>	All	No. Only 1X
<b>Chainring Size</b>	MTR65	34t
	MTR43 / MTN43 / MTJ43 / MTN03 / MTJ03	32t

Characteristic	Models	Specification
<b>Cassette size</b>	MTR65	14t - 34t
	MTR43 / MTN43 / MTJ43 / MTN03 / MTJ03	14t - 28t
<b>Brake type</b>	All	Disc
<b>Disc Front disc size</b>	All	160mm
<b>Rear disc size</b>	All	160mm
<b>Chain guide compatible</b>	All	Includo
<b>Wiring</b>	All	Internal via DT and CS. Full housing
<b>Bottle cage</b>	All	No
<b>Compatible with mudguard</b>	All	Yes
<b>Compatible with luggage rack</b>	All	Yes
<b>Compatible with child seat</b>	All	Yes, for up to 2 passengers
<b>Trailer compatible</b>	All	Yes
<b>Maximum recommended weight</b>	All	240 kg
<b>Maximum recommended weight (front rack)</b>	All	15 kg
<b>Maximum recommended weight (rear rack) All 70 kg Rear rack</b>	All	75 kg
<b>Front rack capacity</b>	All	22 litres
<b>Rear rack capacity</b>	All	60 litres
<b>Electric assistance</b>	MTR65 / MTR43 / MTN43 / MTN03	Yes
	MTJ43 / MTJ03	No
<b>Folding hinge</b>	MTR43 / MTN43 / MTN03 / MTJ43 / MTJ03	Yes
	MTR65	No

## CHARGER SPECIFICATIONS

Characteristic	Specification
<b>Input</b>	100-240V. 50-60Hz. AC
<b>Output</b>	42V
<b>Charging current</b>	3A
<b>Charging temperature range</b>	0°C - 40°C
<b>Charging display</b>	By LED integrated in charger

## SPEED SENSOR SPECIFICATIONS

Characteristic	Specification
<b>Mounting</b>	On right chainstay. Internal wiring
<b>Magnet</b>	On rear wheel spokes

## CONTROL PANEL SPECIFICATIONS

Characteristic	Specification
<b>Functions</b>	Display of load level Display of errors

## FRONT MOTOR SPECIFICATIONS

NUKE MODELS MTN43 / MTN03

Characteristic	Specification
<b>Rated power</b>	250W
<b>Voltage</b>	36V
<b>Type</b>	Brushless DC
<b>Assistance</b>	Up to 25 km/h
<b>Maximum torque</b>	50Nm
<b>Pedal assist modes</b>	4
<b>Cadence range</b>	130/min.
<b>Sensors</b>	Chainia / Torque / Speed
<b>System technology</b>	CAN bus

## BH 1E-MOTOR SPECIFICATIONS 36V

MTR65 / MTR43 ROCKET MODELS

Characteristic	Specification
<b>Rated power</b>	250W
<b>Voltage</b>	36V
<b>Type</b>	Brushless DC
<b>Assistance</b>	Up to 25 km/h
<b>Maximum torque</b>	80Nm
<b>Weight</b>	3490g
<b>Pedal assist modes</b>	5
<b>Walk assist</b>	Yes (by pressing and holding the + button)
<b>Cadence range</b>	130/min.
<b>Sensors</b>	Cadencia / Torque / Speed
<b>System technology</b>	CAN bus

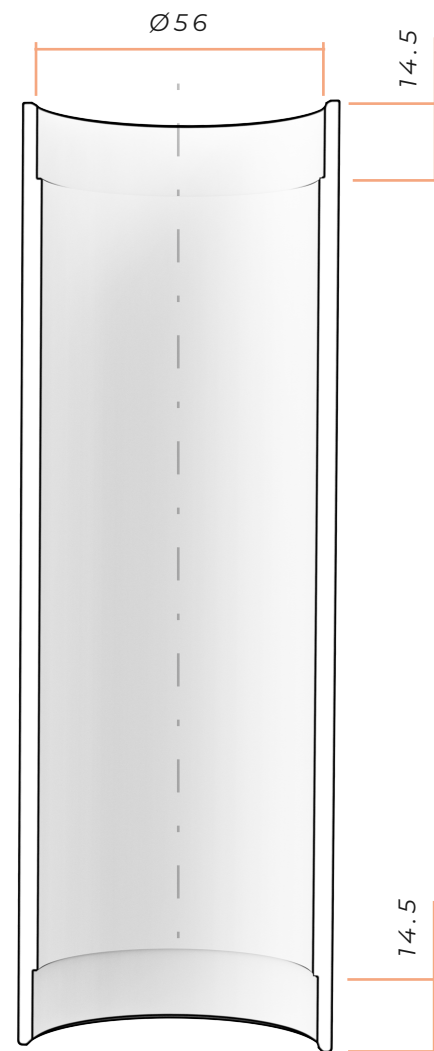
## BATTERY SPECIFICATIONS

Characteristic	Specification
<b>Voltage</b>	36V
<b>Capacity</b>	720Wh (MTR65)
	540Wh (MTR43)
	420Wh (MTN43)
	320Wh (MTN03)
<b>Cell pack</b>	40 (10S4P)
<b>Charging</b>	With battery inside or outside the frame
<b>Connection</b>	Cable connected to motor and charging port
<b>Waterproofing</b>	IP65

# 09 ASSEMBLY AND SPARE PARTS

## DIMENSIONS OF THE STEERING TUBE

ALL MODELS

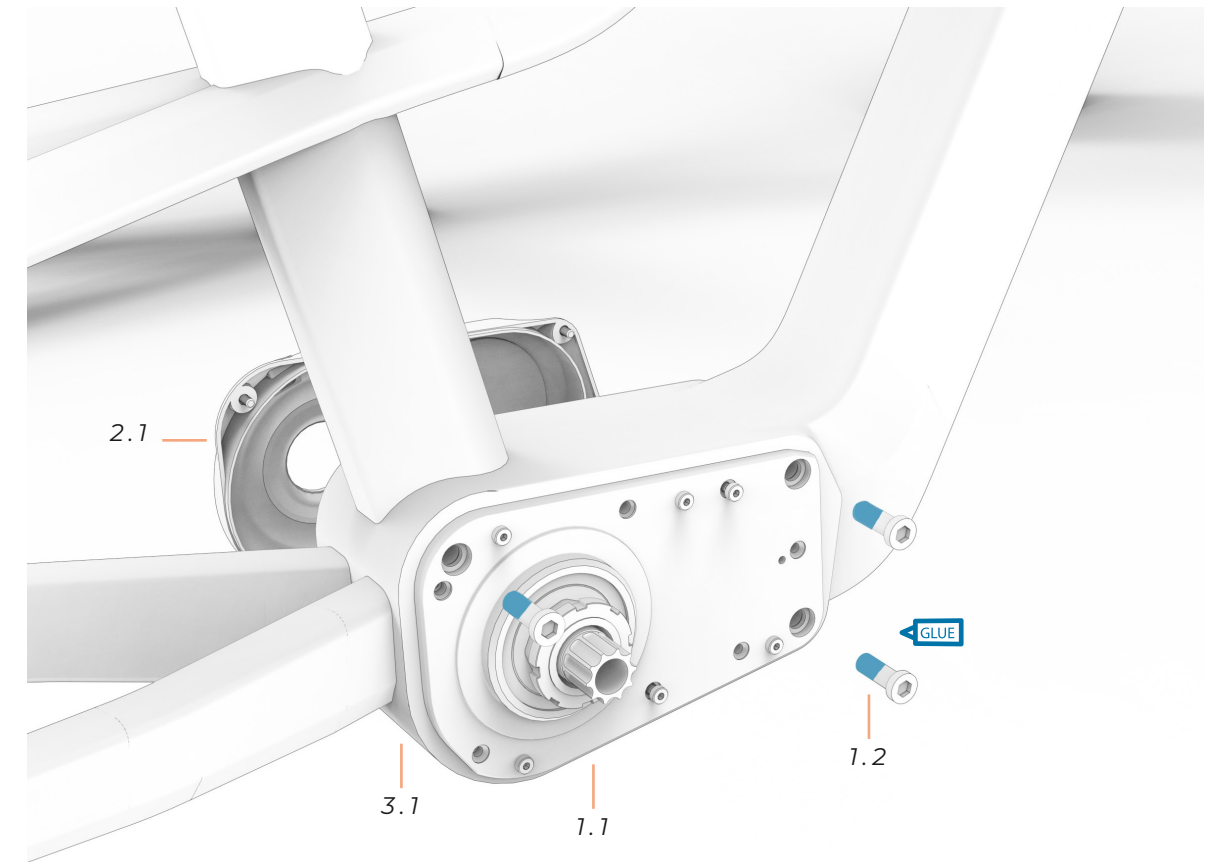


## STEERING SPECIFICATIONS

Type		Contact angle with the compression ring / fork track
Upper	1.5" Steerer	0°
Lower	1.5" Steerer	0°

## BH 1E-36V MOTOR

MTR65 / MTR43



### 1 MOTOR

ref.: 387449700

No.	Item	Quantity
1.1	Motor	1
1.2	Screw	4

### 2 LATERAL MOTOR COVER

ref.: 342302300

No.	Item	Quantity
2.1	Left motor cover	1
2.2	M3x5mm screw	4

### 3 BOTTOM MOTOR COVER

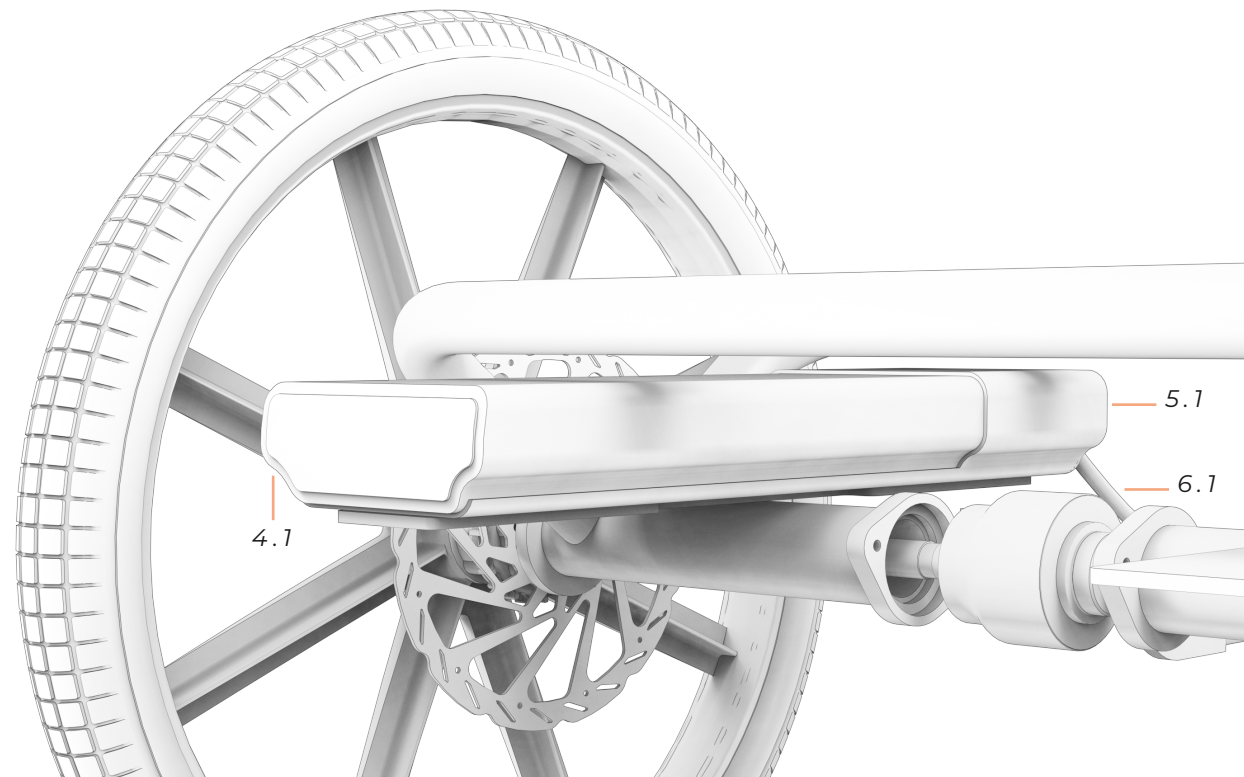
ref.:

No.	Item	Quantity
3.1	Bottom cover	1
3.2	M3x5mm screw	4



## BATTERY

MTR65 / MTR43 / MTN43 / MTN03



### 4 BATTERY

ref.:

No.	Item	Quantity
4.1	Battery	1

### 5 BATTERY CASE

ref.:

No.	Item	Quantity
5.1	Guiding case	1
5.2	Screw	4
5.3	Lock	1

### 6 BATTERY MOTOR CABLE

ref.:

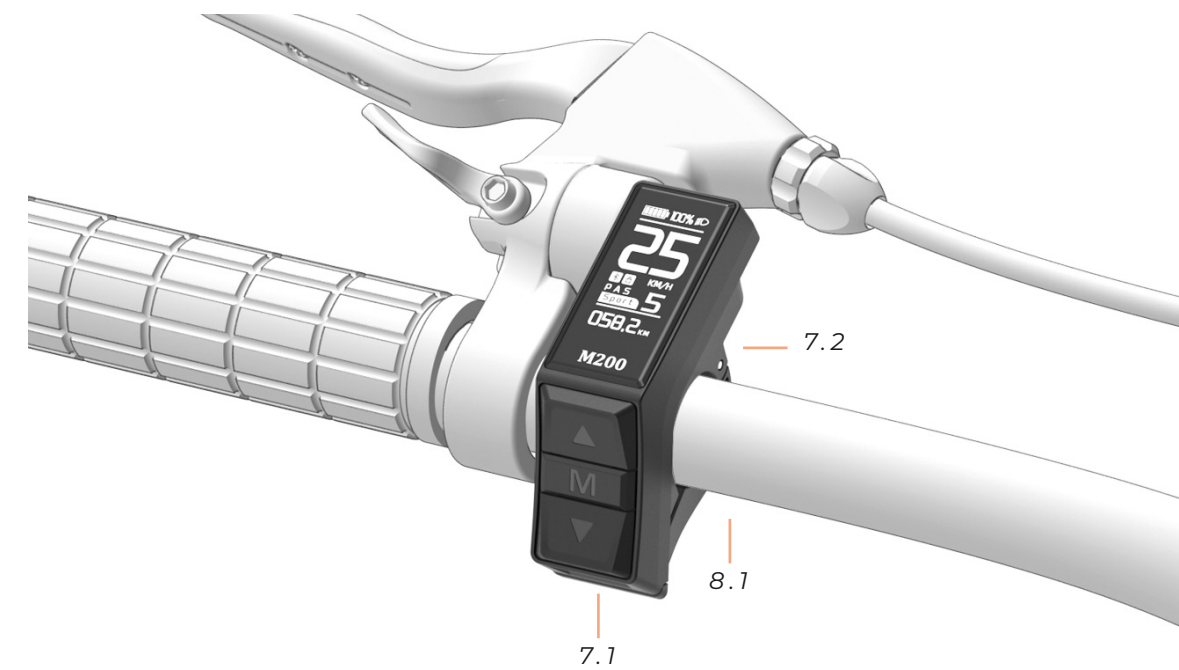
No.	Item	Quantity
6.1	Battery cable	1



**ATTENTION:** The 6.1 wiring is caged in a cable guide.

## DISPLAY

MTR65



**ATTENTION:** Setting for language change not available.

### 7 DISPLAY

ref.: 364296600

No.	Item	Quantity
7.1	Display	1
7.2	Clamp	1
7.3	Screw	1

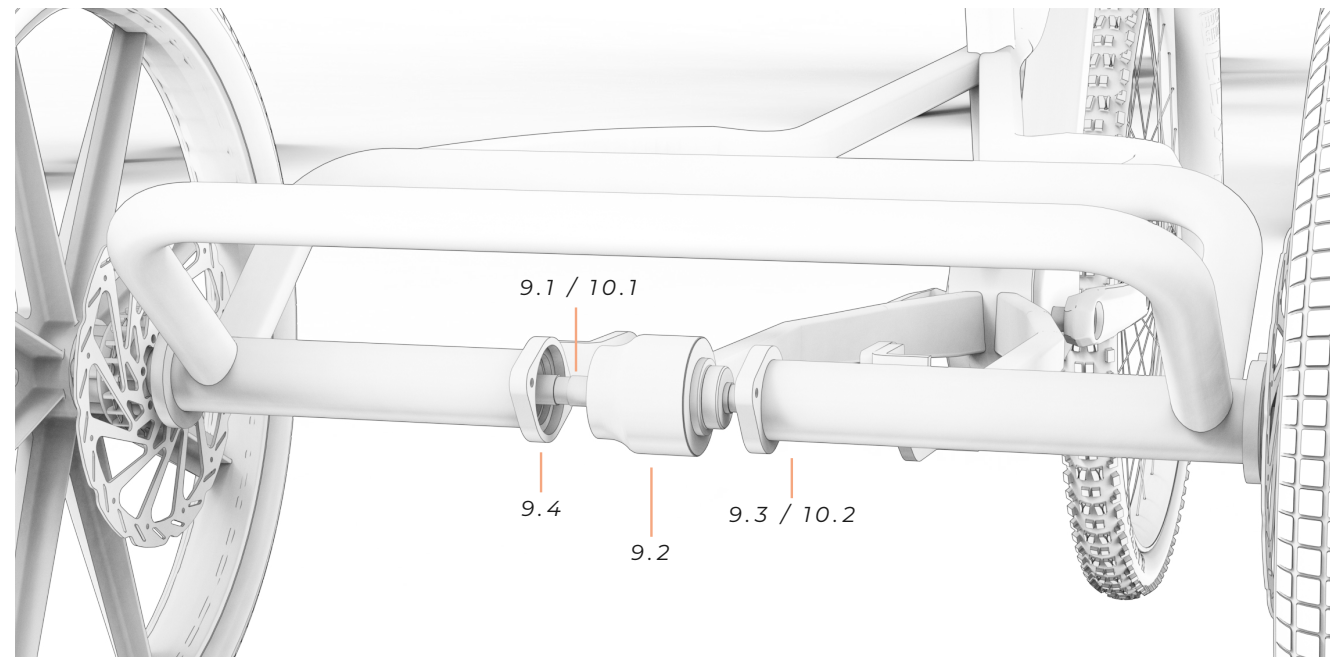
### 8 DISPLAY MOTOR CABLE

ref.:

No.	Item	Quantity
8.1	Display cable	1

## DIFFERENTIAL OR REAR AXLE

ALL MODELS



**WARNING:** To service the bearings, if you want to remove the differential axle you have to:

1. Remove both wheels.
2. Loosen the spacers (9.4) by loosening their bolts.
3. Pull out one or both axles from the appropriate end of the chassis.
4. Remove the bearings (9.3 / 10.2).

ROCKET MODELS - MTR65 / MTR43

### 9 DIFFERENTIAL AXLE

ref.:

No.	Item	Quantity
9.1	Axle (in two parts)	1
9.2	Differential system	1
9.3	Bearing	4
9.4	Bearing spacer <span style="float: right;">ref.: 364294600</span>	2

NUKE & JOG MODELS - MTN43 / MTN03 / MTJ43 / MTJ03

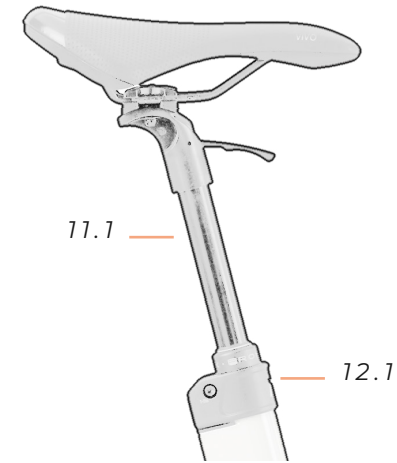
### 10 REAR AXLE

ref.:

No.	Item	Quantity
10.1	Axle (all in one)	1
10.2	Bearing	4

## SADDLE POST

MTR65



### 11 SADDLE POST

ref.: 361334100

No.	Item	Quantity
11.1	Saddle post	1

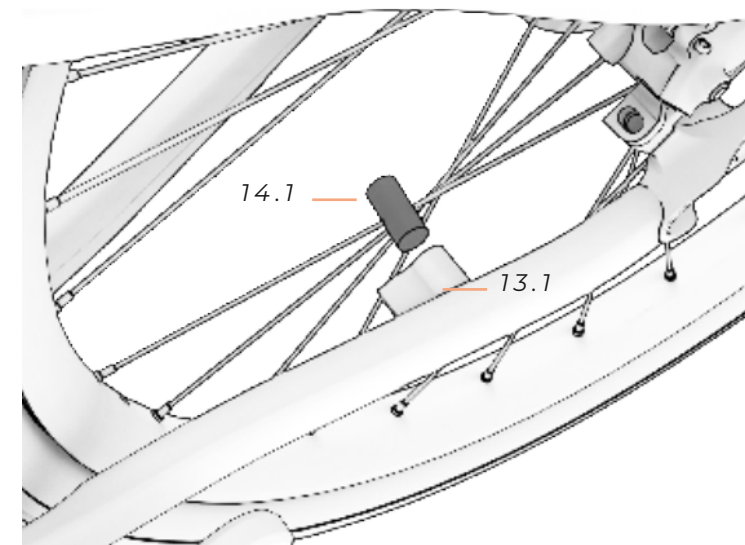
### 12 POST CLAMP

ref.: 381555100

No.	Item	Quantity
12.1	Clamp	1
12.2	Screw	1

## SPEED SENSOR

MTR65 / MTR43



### 13 SPEED SENSOR

ref.: 387465800

No.	Item	Quantity
13.1	Speed sensor	1

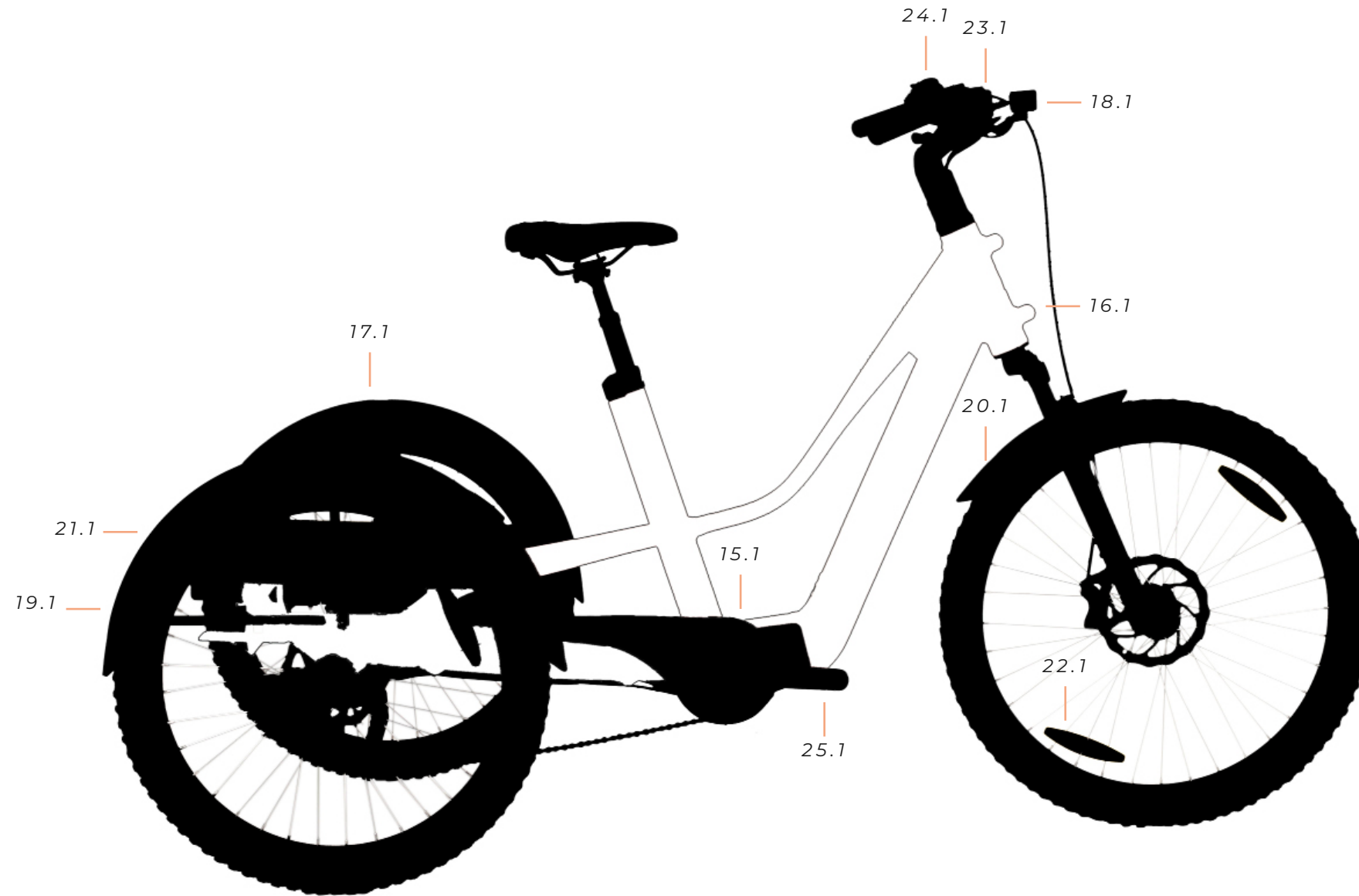
### 14 MAGNET

ref.: 387465900

No.	Item	Quantity
14.1	Magnet	1

# ACCESSORIES

ALL MODELS



## 15 CHAIN GUARD

ref.:

No.	Item	Quantity
16.1	Chain guard	1

## 16 PANNIER

ref.:

No.	Item	Quantity
17.1	Front pannier	1

## 17 PANNIER

ref.:

No.	Item	Quantity
18.1	Rear pannier	1

ROCKET MODELS

## 18 FRONT LIGHT

ref.:

No.	Item	Quantity
20.1	Front light	1

ROCKET MODELS

## 19 REAR LIGHT

ref.:

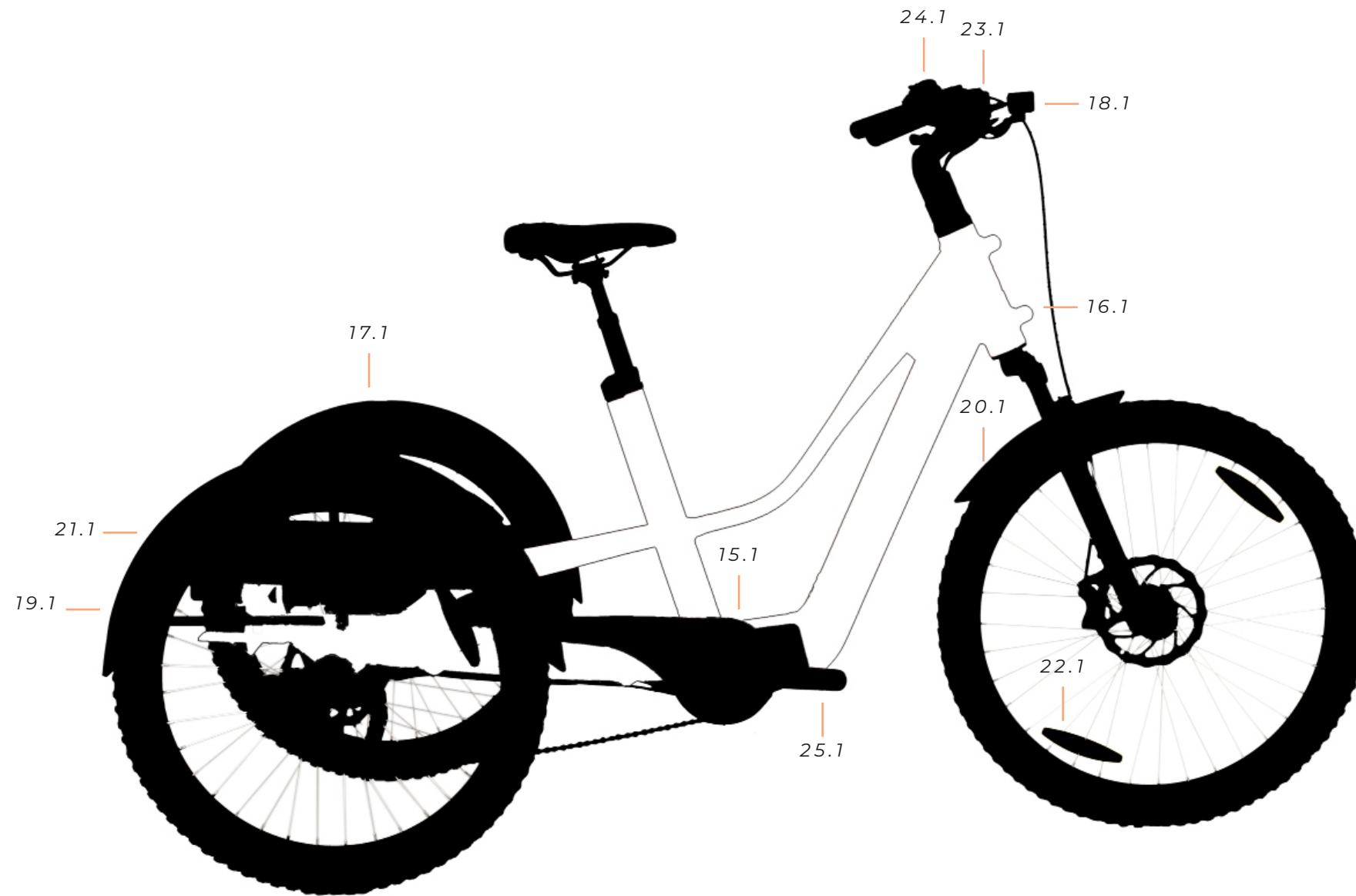
No.	Item	Quantity
21.1	Rear light	1



**ATTENTION:** Nuke & Jog models are equipped with a brake sensor.

# ACCESSORIES

ALL MODELS



## 20 MUDGUARD ref.:

No.	Item	Quantity
22.7	Front mudguard	1

## 21 MUDGUARD ref.:

No.	Item	Quantity
23.7	Rear mudguard	2

## 22 REFLECTOR ref.:

No.	Item	Quantity
25.7	Wheel reflector	1

## 23 BELL ref.:

No.	Item	Quantity
26.7	Bell	1

ROCKET MODELS

## 24 BRAKE BLOCK ref.:

No.	Item	Quantity
24.7	Brake locking lever	1

NUKE & JOG MODELS

## 25 HINGE ref.:

No.	Item	Quantity
19.7	Folding hinge	1

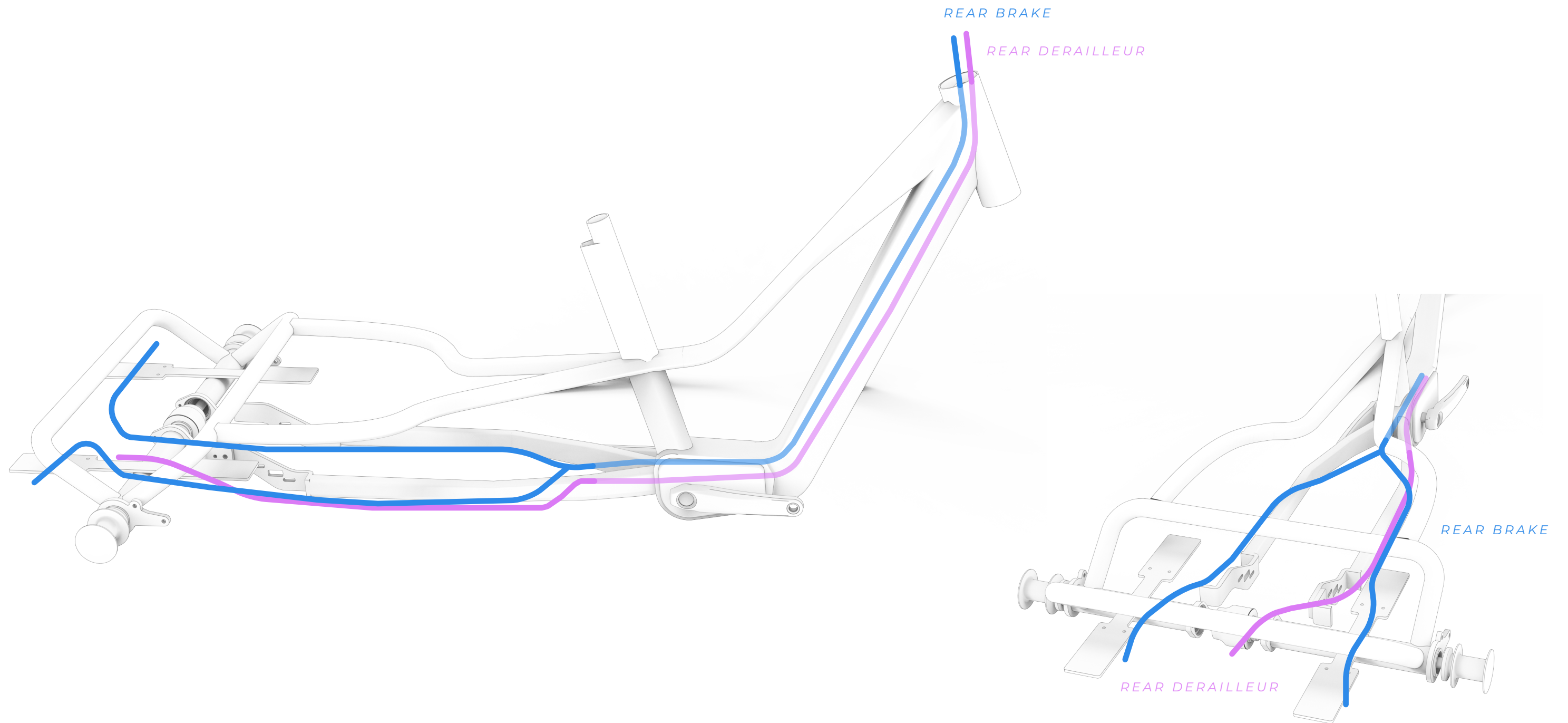


**ATTENTION:** Grease the hinge with oil for optimum performance.

## CABLING OF THE MECHANICAL PARTS

The images below show the routing configuration for the mechanical component cables. The cables will remain protected inside the frame triangle until they come out through the motor cover for ease of maintenance.

ROCKET MODELS - MTR65 / MTR43

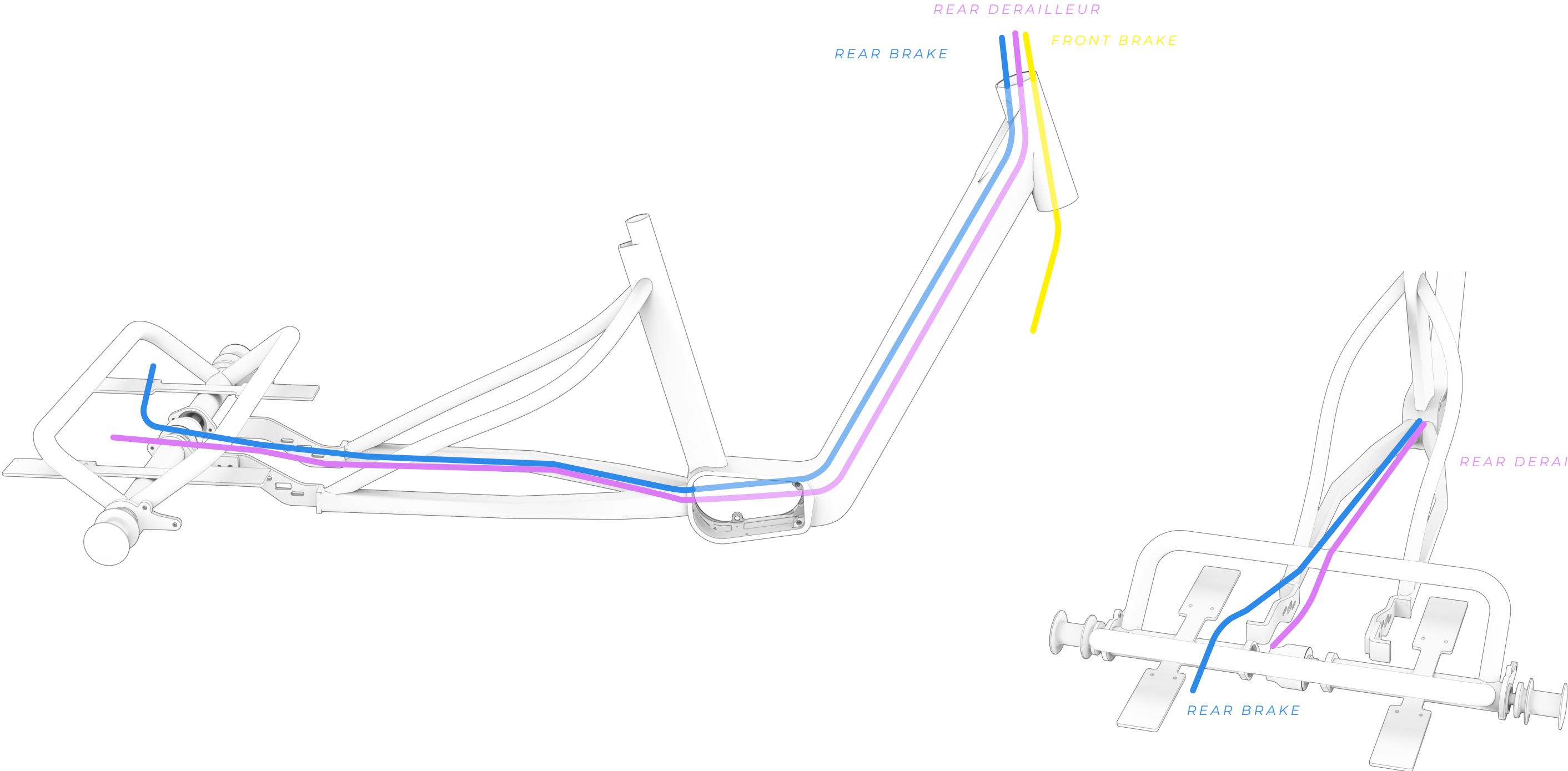




# CABLING OF THE MECHANICAL PARTS

The images below show the routing configuration for the mechanical component cables. The cables will remain protected inside the frame triangle until they come out through the motor cover for ease of maintenance.

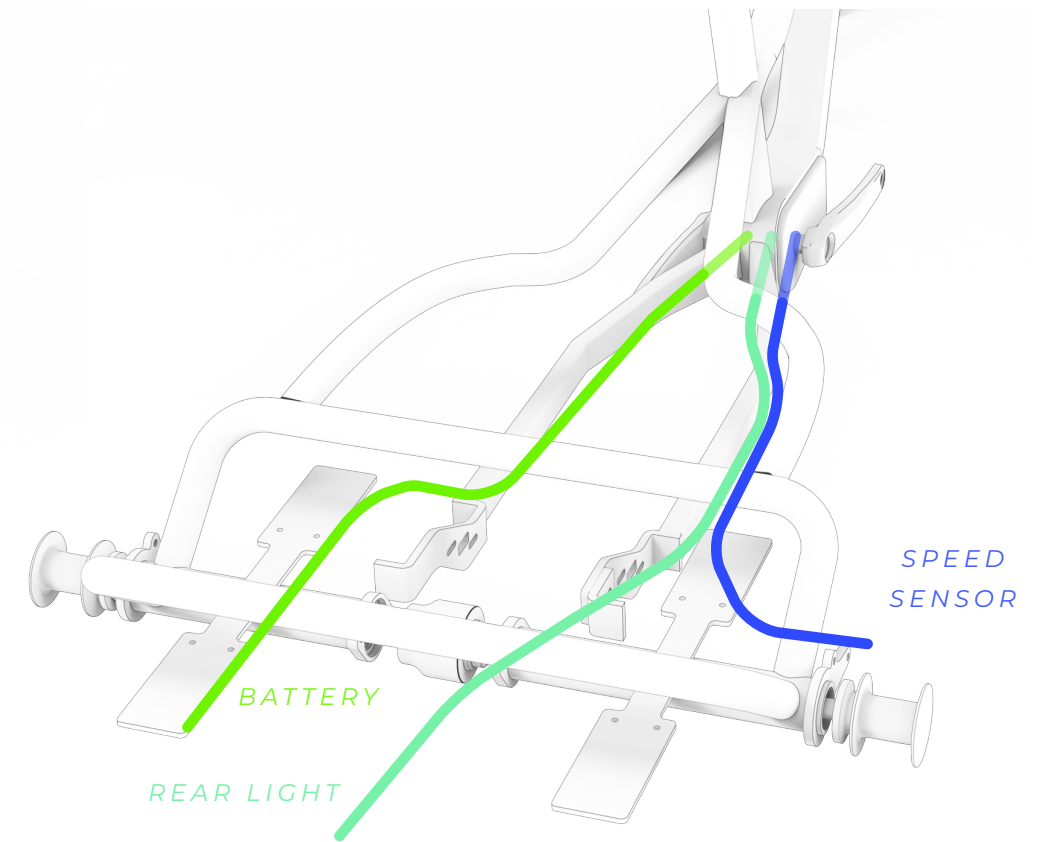
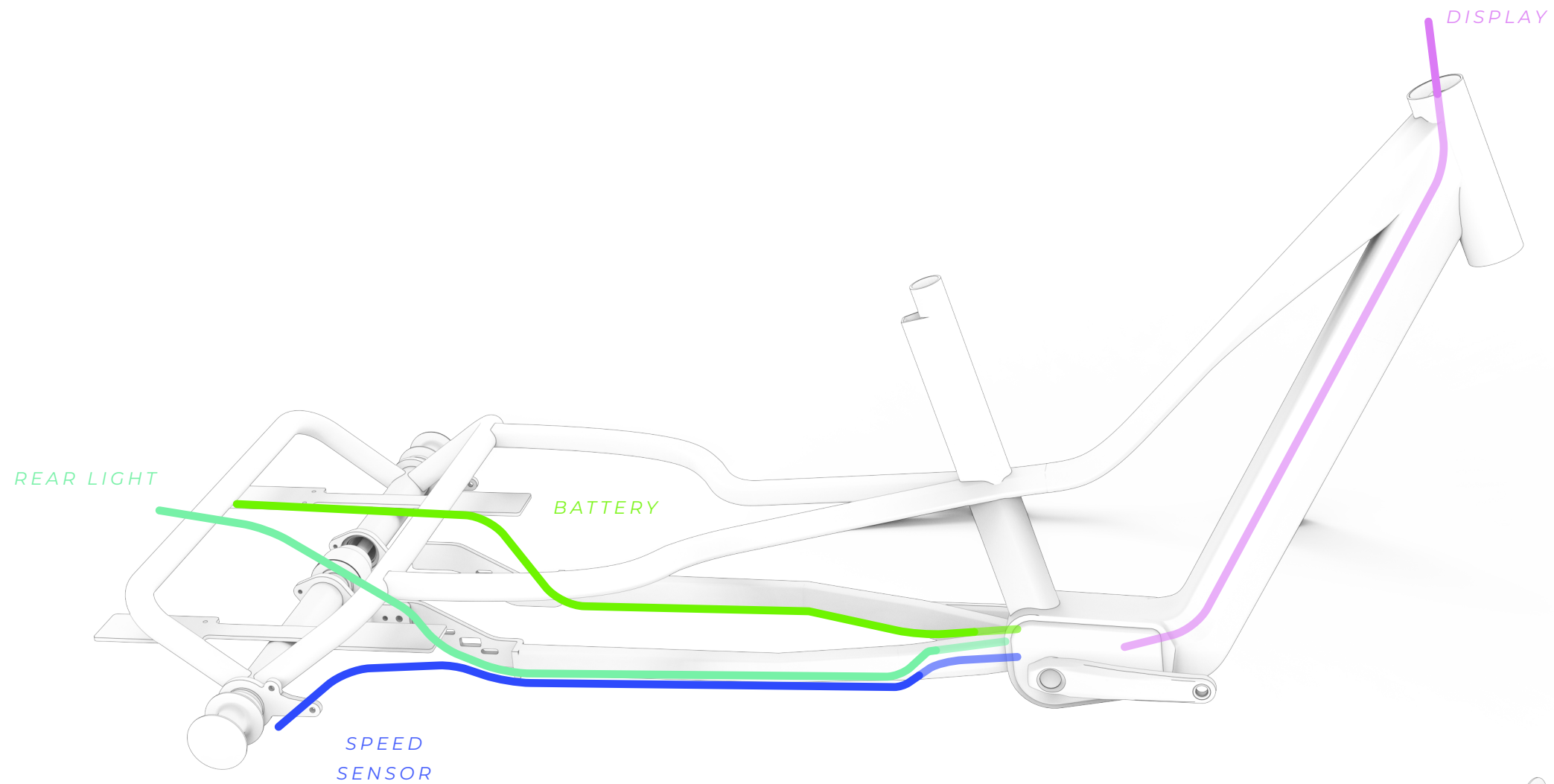
NUKE & JOG MODELS - MTN43 / MTN03 / MTJ43 / MTJ03



## CABLING OF THE ELECTRICAL SYSTEM'S PARTS

The images below show the routing configuration for the electrical component cables.

ROCKET MODELS - MTR65 / MTR43



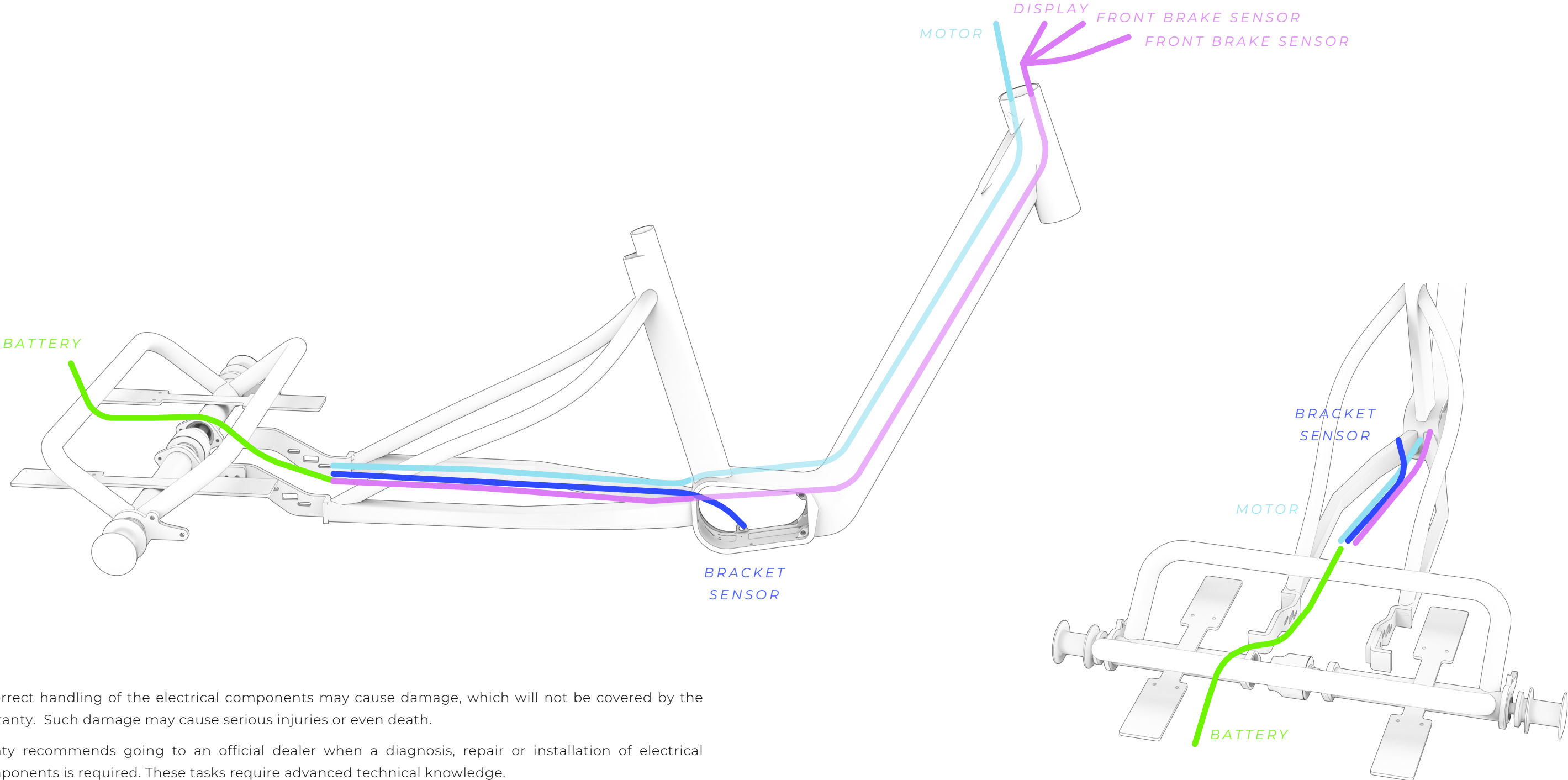
**⚠** Incorrect handling of the electrical components may cause damage, which will not be covered by the warranty. Such damage may cause serious injuries or even death.

Monty recommends going to an official dealer when a diagnosis, repair or installation of electrical components is required. These tasks require advanced technical knowledge.

# CABLING OF THE ELECTRICAL SYSTEM'S PARTS

The images below show the routing configuration for the electrical component cables.

NUKE & JOG MODELS - MTN43 / MTN03 / MTJ43 / MTJ03

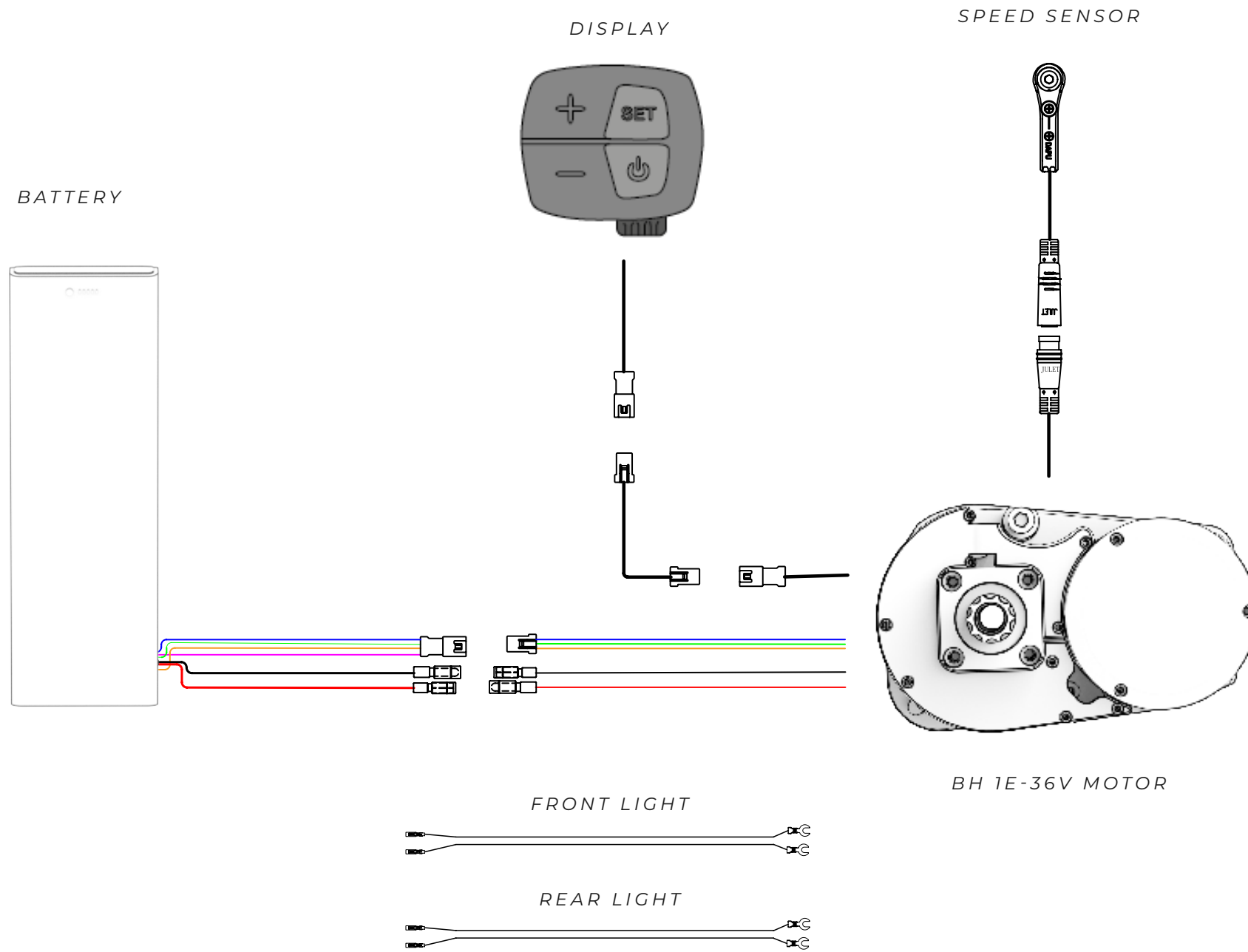


⚠ Incorrect handling of the electrical components may cause damage, which will not be covered by the warranty. Such damage may cause serious injuries or even death.

Monty recommends going to an official dealer when a diagnosis, repair or installation of electrical components is required. These tasks require advanced technical knowledge.

# WIRING DIAGRAM OF THE ELECTRICAL SYSTEM'S PARTS

MTR65



The headlight cables are not supplied with the bicycle; you can purchase them from official suppliers.

⚠ Incorrect handling of the electrical components may cause damage, which will not be covered by the warranty. Such damage may cause serious injuries or even death.

Monty recommends going to an official dealer when a diagnosis, repair or installation of electrical components is required. These tasks require advanced technical knowledge.



⚠ When electrical connections come into contact with damp spots or are clogged due to external contamination, a chemical reaction occurs, causing a build-up of lead sulphate crystals in the connections. In other words, the copper on the contacts will rust, resulting in conductivity problems.

The warranty does not cover damage caused by incorrect maintenance of the bicycle's connections. To prevent rust, simply clean the connections (male and female) at regular intervals, using dielectric deoxidisers like the one shown in the image above.

# 10 DECLARATION OF CONFORMITY

## EU Declaration of Conformity

The manufacturer: BH BIKES EUROPE, SL  
c/ Perretagana 10,  
01015 Vitoria, Spain

Hereby declares that the following products:

Product description:  E-Tricycles.

Models designation:

ELECTRIC TRICYCLE:  
NUKE 20, NUKE 24, ROCKET 24, ROCKET XC, ROCKET LT, ROCKET CARGO.

Year of manufacture: 2023 and 2024

Comply with all of the relevant requirements of the Machinery Directive (2006/42/EC).  
Comply with Low Voltage Directive (LVD) 2014/35/EU  
Comply with all of the relevant requirements of RD 339/2014, de 9 de Mayo.  
Furthermore, the machine complies with all of the requirements of the Electromagnetic Compatibility Directive 2014/30/EU.

The production control is assured by our Quality Management System, which fulfills the requirements of the standard ISO 9001

The following harmonized standards have been applied:  
DIN EN 15194 Cycles – Electrically power assisted cycles – EPAC bicycles;  
NF R 30-050-1 Exigences communes aux cycles avec ou sans assistance électrique

Technical documentation filed at:  
BH BIKES EUROPE, SL  
c/ Perretagana 10,  
01015 Vitoria, Spain

Prepared and reviewed by BH Quality Department (Headquarters)

# 11 HELP AND ADDITIONAL RESOURCES

Monty offers different channels to resolve your queries. In addition, you can join our global cyclist community on our social media.

## TECHNICAL RESOURCES

You can find all of the resources you need to fine-tune your bicycle on the Monty Bikes website. Click on the link below to access the user manuals, apps, warranties, display update files and videos that explain different operations:

<https://www.montybikes.com/manuals-tecdocs/?lang=en>

You can also check out our step-by-step tutorials to learn how to maintain and fine-tune your bicycle on our specialised Youtube channel:

<https://www.youtube.com/user/ServicioTecnicoBH>

## CONTACT US

Our authorised dealers have the necessary knowledge and resources to help you with anything you need in relation to your bicycle. Don't hesitate to contact your nearest store. You can find it by clicking on the link below:

<https://www.montybikes.com/store-locator/>

To contact us directly:

Tel.: + 34 945 13 52 02

[info@montybikes.com](mailto:info@montybikes.com)

P.I. Jundiz- Perretagana 10, 01015 Vitoria, Alava (Spain)

## SOCIAL MEDIA

Join our global cyclist community. Discover the Monty experiences of other cyclists and share yours.







[www.montybikes.com](http://www.montybikes.com)



**MONTY**  
BIKES